

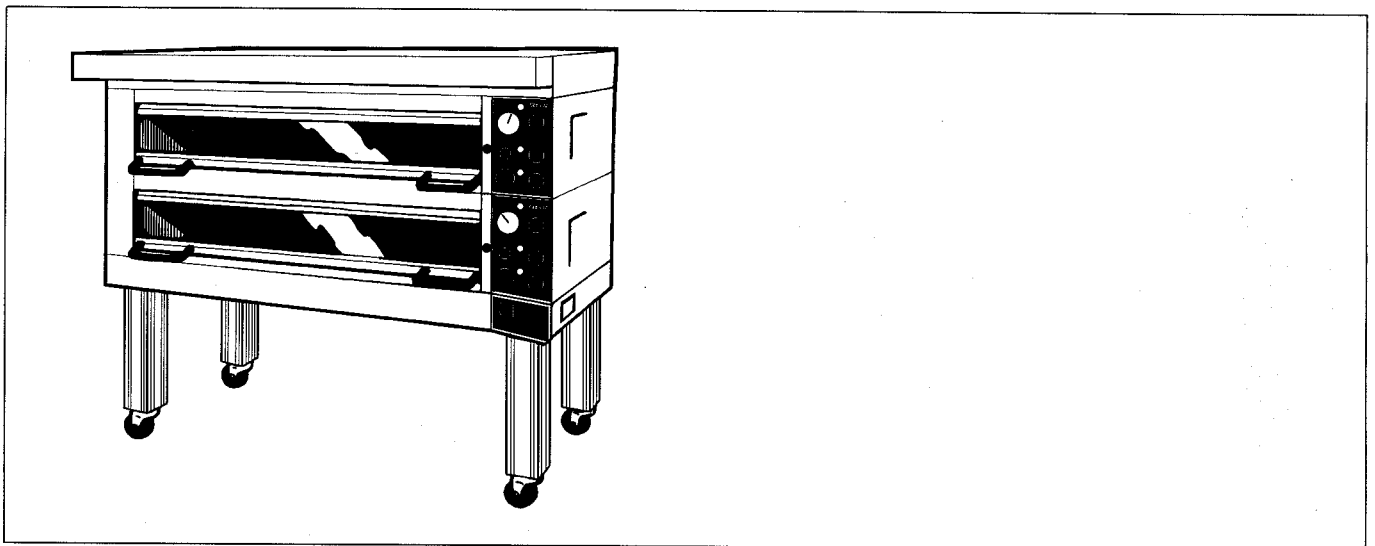
# Classic

Däckugn / Pizzaugn

Deck oven / Pizza oven

Sektionsofen / Pizzaofen

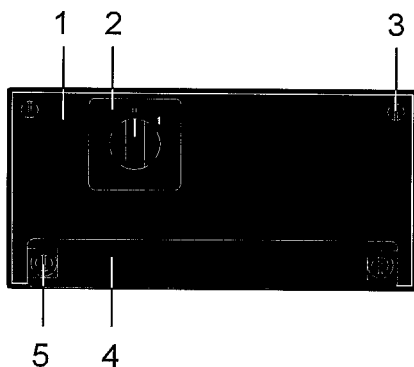
|      |       |       |        |       |      |
|------|-------|-------|--------|-------|------|
| Typ: | DC-1  | DC-2  | DC-2E  | DC-3  | DC-4 |
|      | DC-1P | DC-2P | DC-2EP | DC-3P |      |



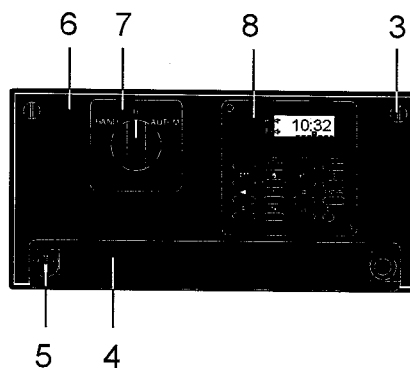
**Reservdelista**  
**Spare Parts List**  
**Ersatzteilliste**

|                            |                            |                              |       |
|----------------------------|----------------------------|------------------------------|-------|
| Instrumentpanel Manöver    | Instrument panel Control   | Instrumententafel Steuerung  | 3     |
| Instrumentpanel Bakugn     | Instrument panel Bake oven | Instrumententafel Backenofen | 4-5   |
| Instrumentpanel Pizza      | Instrument panel Pizza     | Instrumententafel Pizza      | 6-7   |
| Elskåp                     | Distribution box           | Schaltschrank                | 8     |
| Luckmekanism               | Door Mechanism             | Tür Mechanismus              | 9     |
| Lucka                      | Door                       | Tür                          | 10-13 |
| Ånga                       | Steam                      | Dampf                        | 14-15 |
| Ugnsrum Bakugn             | Oven chamber Bake oven     | Ofenraum Backenofen          | 16-17 |
| Ugnsrum Pizza              | Oven chamber Pizza         | Ofenraum Pizza               | 18-19 |
| Utvändiga detaljer         | Exterior parts             | Aussenteile                  | 20-21 |
| Benställning med tillbehör | Legs with accessoires      | Beine mit zubehören          | 22-23 |

Standard

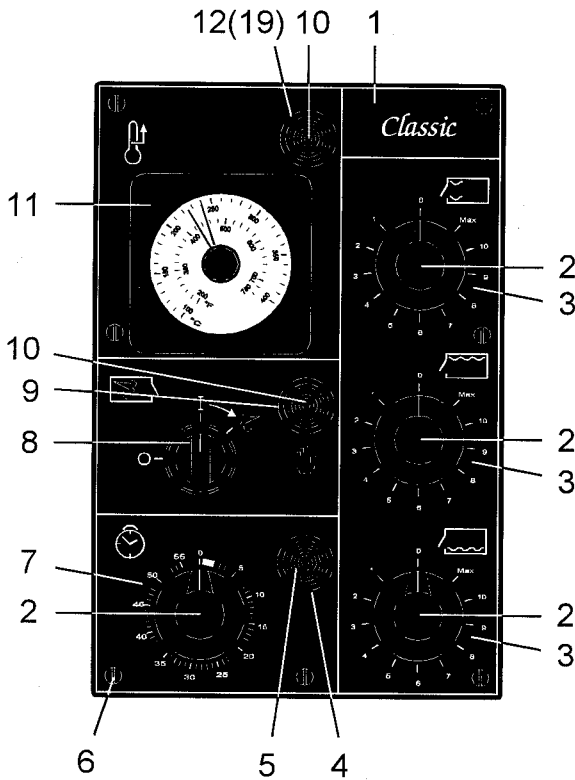


Veckour/Week timer/Wochenuhr

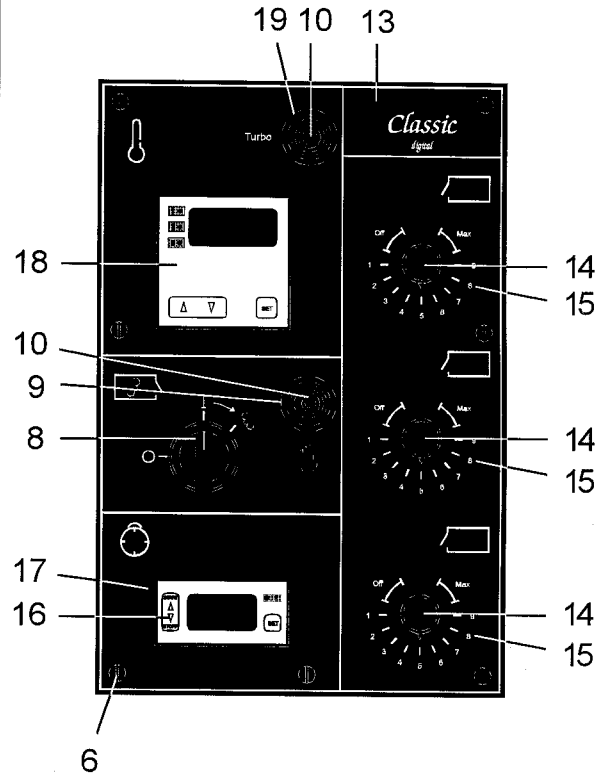


| Pos<br>Fig.<br>Teil | Best.nr<br>Order No<br>Best.Nr | Benämning     | Description   | Benennung      | Anm.<br>Notes<br>Anm. |
|---------------------|--------------------------------|---------------|---------------|----------------|-----------------------|
| 1                   | 319109-01                      | Manöverpanel  | Control panel | Armaturenbrett | Standard              |
| 2                   | 317026-01                      | Strömställare | Switch        | Nockenschalter | 0-1                   |
| 3                   | 60364-327                      | Skruv         | Screw         | Schraube       | MKFS 5x12             |
| 4                   | 60419-800                      | Handtag       | Handle        | Türgriff       | L=197mm               |
| 5                   | 60072-333                      | Skruv         | Screw         | Schraube       | MCS 5x25              |
| 5                   | 60010-146                      | Bricka        | Washer        | Scheibe        | 5,2x12                |
| 6                   | 319126-01                      | Manöverpanel  | Control panel | Armaturenbrett | Tidur/Timer/Zeituhr   |
| 7                   | 317026-19                      | Strömställare | Switch        | Nockenschalter | Hand-0-Autom.         |
| 8                   | 50473-01                       | Veckour       | Week timer    | Wochenuhr      | Digital               |

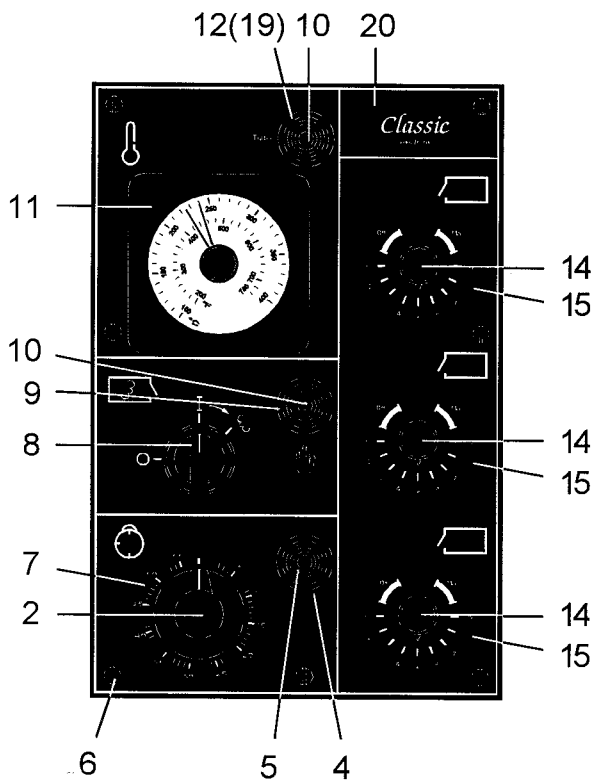
Standard



Digital



Elektronik





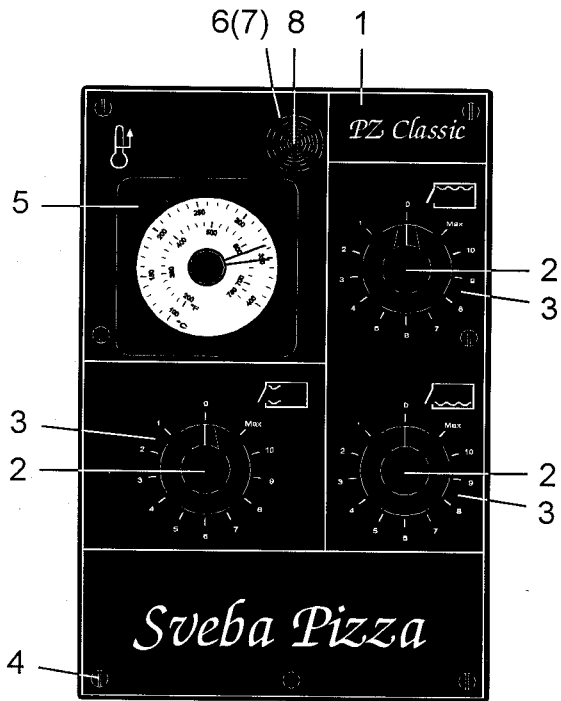
Instrumentpanel  
Bakugn

Instrument panel  
Bake oven

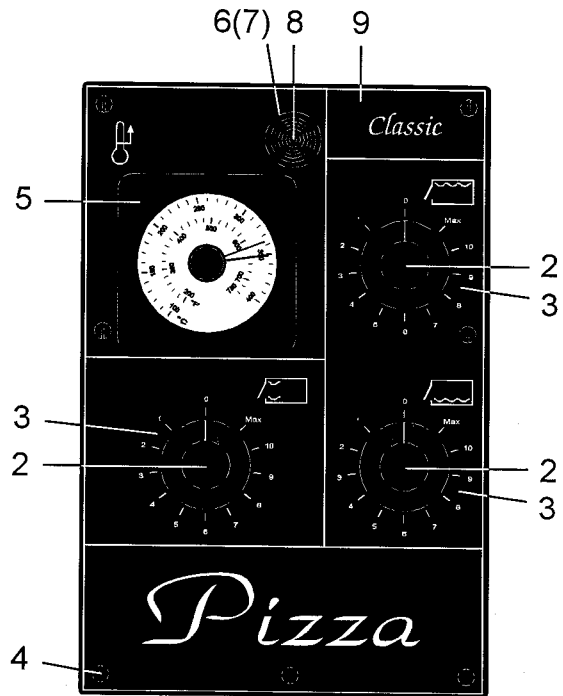
Instrumententafel  
Backenofen

| Pos<br>Fig.<br>Teil | Best.nr<br>Order No<br>Best.Nr | Benämning           | Description           | Benennung             | Anm.<br>Notes<br>Anm. |
|---------------------|--------------------------------|---------------------|-----------------------|-----------------------|-----------------------|
| 1                   | 113139-01                      | Instrumentpanel     | Control panel         | Armaturenbrett        | Standard              |
| 2                   | 60438-800                      | Vred                | Knob                  | Drehknopf             | Ø 48 mm               |
| 3                   | 412606-01                      | Effektregulator     | Power control         | Leistungsregistrierer | 250V 15A              |
| 3                   | 412606-03                      | Effektregulator     | Power control         | Leistungsregistrierer | 120V 15A              |
| 4                   | 60225-802                      | Signallampa         | Pilot lamp holder     | Signallampenhalter    | Grön/Green/Grün       |
| 4                   | 60429-802                      | Signallampa         | Pilot lamp            | Signallampe           | 220/6VGrön/Green/Grün |
| 5                   | 60226-810                      | Glimlampa           | Glowing lamp          | Glimmlampe            | reflektor 220V (grön) |
| 5                   | 60226-811                      | Glödlampa           | Light bulb            | Glühlampe             | 127V (grön)           |
| 6                   | 60364-327                      | Skruv               | Screw                 | Schraube              | MKFS 5x12             |
| 7                   | 50073-10                       | Tidur               | Timer                 | Schaltuhr             | 60 min. 220-240V 60Hz |
| 7                   | 50073-05                       | Tidur               | Timer                 | Schaltuhr             | 60 min. 240V 50Hz     |
| 7                   | 50073-06                       | Tidur               | Timer                 | Schaltuhr             | 60 min. 120V 60Hz     |
| 8                   | 317026-06                      | Strömställare       | Switch                | Nockenschalter        | 0-1-Push              |
| 9                   | 60225-801                      | Signallampa         | Pilot lamp holder     | Signallampenhalter    | Röd/Red/Rot           |
| 9                   | 60429-801                      | Signallampa         | Pilot lamp            | Signallampe           | 220/6V Röd/Red/Rot    |
| 10                  | 60226-800                      | Glimlampa           | Glowing lamp          | Glimmlampe            | 220V                  |
| 10                  | 60226-801                      | Glimlampa           | Glowing lamp          | Glimmlampe            | 110V                  |
| 11                  | 60452-800                      | Termostat           | Thermostat            | Thermostat            | 50-350°C 96x96mm      |
| 11                  | 60452-801                      | Termostat           | Thermostat            | Thermostat            | 120-660°F USA 96x96   |
| 12                  | 60225-800                      | Signallampa         | Pilot lamp holder     | Signallampenhalter    | Gul/Yellow/Gelb       |
| 12                  | 60429-800                      | Signallampa         | Pilot lamp            | Signallampe           | 220/6VGul/Yellow/Gelb |
| 13                  | 113182-01                      | Instrumentpanel     | Control panel         | Armaturenbrett        | Digital               |
| 14                  | 60411-810                      | Pilratt             | Arrow knob            | Pfeilknopf            | Kompl Ø21mm           |
| 15                  | 60483-800                      | Potentiometer       | Potentiometer         | Potentiometer         | 10k                   |
| 16                  | 60482-800                      | Timer               | Timer                 | Zeituhr               | 12V                   |
| 17                  | 60482-801                      | Transformator       | Transformer           | Transformator         | 220V                  |
| 17                  | 60482-802                      | Transformator       | Transformer           | Transformator         | 110V                  |
| 18                  | 60481-800                      | Temperaturregulator | Temperatur controller | Temperatur Regulator  | 220V                  |
| 18                  | 60481-801                      | Temperaturregulator | Temperatur controller | Temperatur Regulator  | 110V                  |
| 19                  | 60290-851                      | Lamptryckknapp      | illum. push button    | Leuchtdrucktaster     | Gul/Yellow/Gelb       |
| 20                  | 113167-01                      | Instrumentpanel     | Control panel         | Armaturenbrett        | Elektronik            |

PZ



Pizza



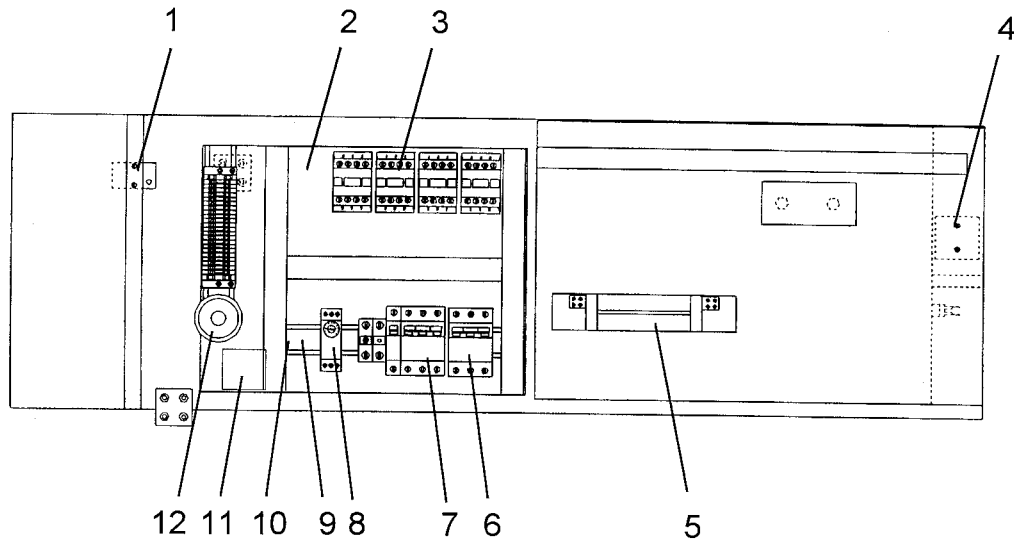


Instrumentpanel  
Pizza

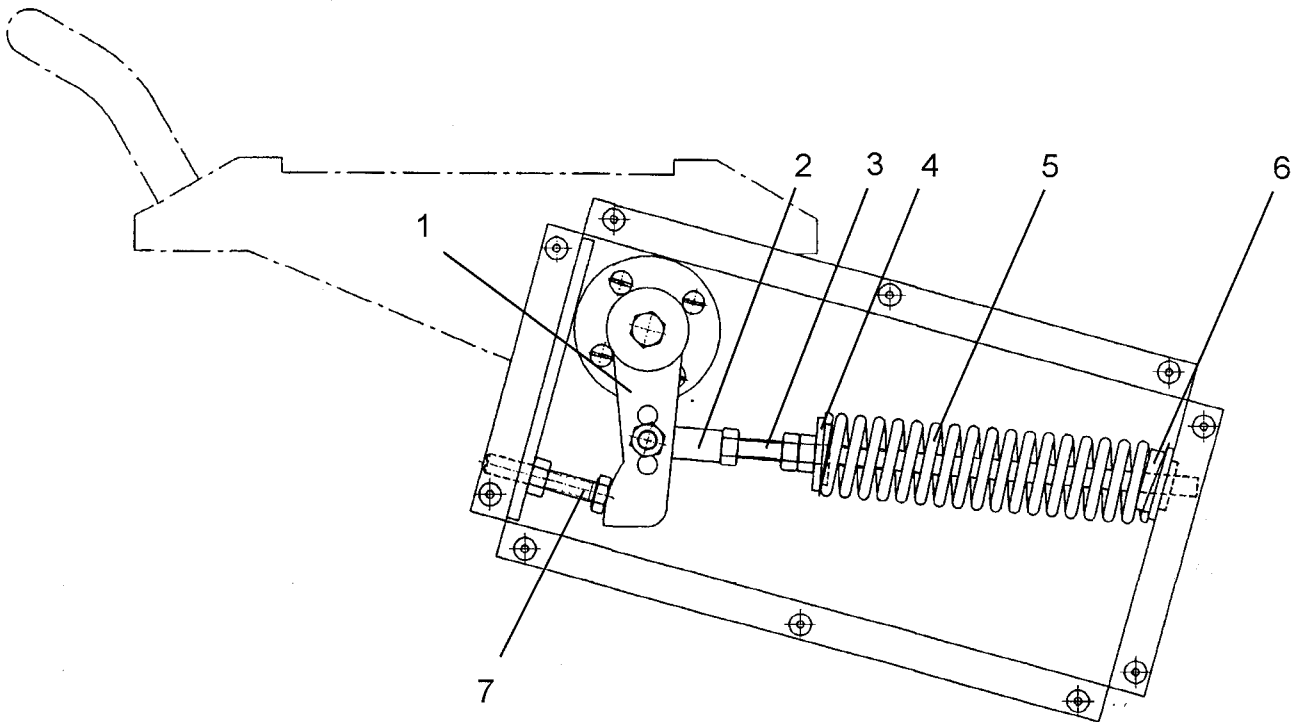
Instrument panel  
Pizza

Instrumententafel  
Pizza

| Pos<br>Fig.<br>Teil | Best.nr<br>Order No<br>Best.Nr | Benämning       | Description        | Benennung             | Anm.<br>Notes<br>Anm. |
|---------------------|--------------------------------|-----------------|--------------------|-----------------------|-----------------------|
| 1                   | 113151-01                      | Instrumentpanel | Control panel      | Armaturenbrett        | PZ Classic            |
| 2                   | 60438-800                      | Vred            | Knob               | Drehknopf             | Ø 48 mm               |
| 3                   | 412606-01                      | Effektregulator | Power control      | Leistungsregistrierer | 250V 15A              |
| 3                   | 412606-03                      | Effektregulator | Power control      | Leistungsregistrierer | 120V 15A              |
| 4                   | 60364-327                      | Skruv           | Screw              | Schraube              | MKFS 5x12             |
| 5                   | 60452-802                      | Termostat       | Thermostat         | Thermostat            | 100-400 °C 96x96mm    |
| 6                   | 60225-800                      | Signallampa     | Pilot lamp holder  | Signallampenhalter    | Gul/Yellow/Gelb       |
| 6                   | 60429-800                      | Signallampa     | Pilot lamp         | Signallampe           | 220/6VGul/Yellow/Gelb |
| 7                   | 60290-851                      | Lamptryckknapp  | Illum. push button | Leuchtdrucktaster     | Gul/Yellow/Gelb       |
| 8                   | 60226-800                      | Glimlampa       | Glowing lamp       | Glimmlampe            | 220V                  |
| 8                   | 60226-801                      | Glimlampa       | Glowing lamp       | Glimmlampe            | 110V                  |
| 9                   | 113140-01                      | Instrumentpanel | Control panel      | Armaturenbrett        | Pizza                 |



| Pos<br>Fig.<br>Teil | Best.nr<br>Order No<br>Best.Nr | Benämning                    | Description              | Benennung                       | Anm.<br>Notes<br>Anm.   |
|---------------------|--------------------------------|------------------------------|--------------------------|---------------------------------|-------------------------|
| 1                   | 60385-800                      | Överhettningsskydd           | Overheat protection      | Überhitze schutz                | .20-500 °C              |
| 2                   | 215838-01                      | Komponenthylla               | Component shelf          | Komponentenregal                |                         |
| 3                   | 60374-800                      | Kontaktor                    | Contacteur               | Schüts                          | 25/20A 220V 50/60Hz     |
| 3                   | 60375-800                      | Kontaktor                    | Contacteur               | Schüts                          | 40A 220V 50/60Hz        |
| 3                   | 60374-804                      | Kontaktor                    | Contacteur               | Schüts                          | 20A 110V 60Hz           |
| 3                   | 60375-804                      | Kontaktor                    | Contacteur               | Schüts                          | 40A 110V 60Hz           |
| 4                   | 60283-800                      | Termostat                    | Thermostat               | Thermostat                      | 300-350°C               |
| 5                   | 60465-800                      | Transformator                | Transformer              | Transformator                   | 240/12V 50VA            |
| 6                   | 60232-807                      | Automatsäkring               | Circuit breaker          | Automatsicherung                | 3-polig 10A             |
| 7                   | 60232-805                      | Automatsäkring               | Circuit breaker          | Automatsicherung                | 1-polig 10A             |
| 7                   | 60232-806                      | Automatsäkring               | Circuit breaker          | Automatsicherung                | 2-polig 10A             |
| 7                   | 60232-819                      | Automatsäkring               | Circuit breaker          | Automatsicherung                | 3-polig 25A             |
| 7                   | 60232-823                      | Automatsäkring               | Circuit breaker          | Automatsicherung                | 3-polig 32A             |
| 7                   | 60232-827                      | Automatsäkring               | Circuit breaker          | Automatsicherung                | 3-polig 40A             |
| 7                   | 60232-831                      | Automatsäkring               | Circuit breaker          | Automatsicherung                | 3-polig 50A             |
| 7                   | 60430-857                      | Automatsäkring               | Circuit breaker          | Automatsicherung                | 3-polig 25A 600V        |
| 8                   | 60472-800                      | Tidrelä                      | Time relay               | Zeitrelais                      | 0-100 sec. 220V50/60Hz  |
| 8                   | 60472-801                      | Tidrelä                      | Time relay               | Zeitrelais                      | 0-100 sec. 110V50/60Hz  |
| 9                   | 50390-01                       | Störningsskydd               | Radio shield             | Störschutz                      |                         |
| 10                  | 60484-800                      | Elektronisk effekt-reglering | Electronic power control | Elektronische leistungsregelung |                         |
| 11                  | 412333-07                      | Transformator                | Transformer              | Transformator                   | Prim200,230,240,254,278 |
| 12                  | 412561-01                      | Signalsummer                 | Buzzer                   | Summer                          | 220V                    |
| 12                  | 60252-800                      | Signalsummer                 | Buzzer                   | Summer                          | 110V UL                 |

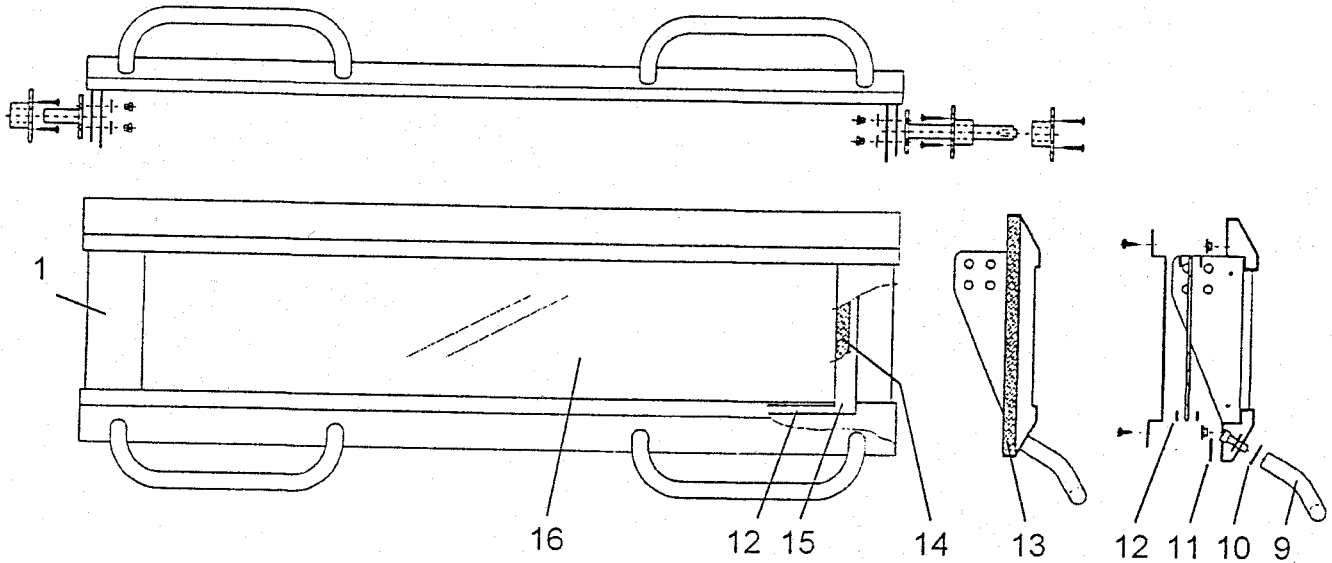
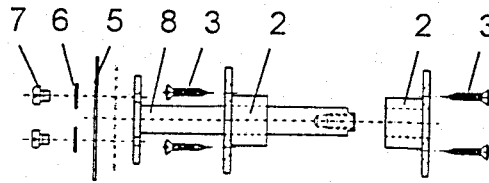
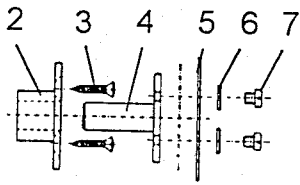


| Pos<br>Fig.<br>Teil | Best.nr<br>Order No<br>Best.Nr | Benämning      | Description       | Benennung        | Anm.<br>Notes<br>Anm. |
|---------------------|--------------------------------|----------------|-------------------|------------------|-----------------------|
| 1                   | 417070-01                      | Hävarm         | Lever             | Hebelarm         | 5 x 30 x 95 mm        |
| 2                   | 60460-813                      | Vinkellänk     | Togglelink        | Winkellenk       | AS-13M8               |
| 3                   | 417071-01                      | Justeraxel     | Adjusting spindle | Einstellachse    | L=210 mm, M8          |
| 4                   | 417072-01                      | Fjäderstyrning | Spring guide      | Federsteuerung   | t=6 mm, Ø30 mm        |
| 5                   | 417346-01                      | Luckfjäder     | Door spring       | Türfeder         | 4,5 x 25 x 160 mm     |
| 6                   | 417073-01                      | Axelstyrning   | Spindle guide     | Achsensteuerung  | t=12, Ø30 mm          |
| 7                   | 60461-380                      | Distansskruv   | Spacer screw      | Abstandsschraube | L=50 mm, M8           |

Lucka Bakugn

Door Bake oven

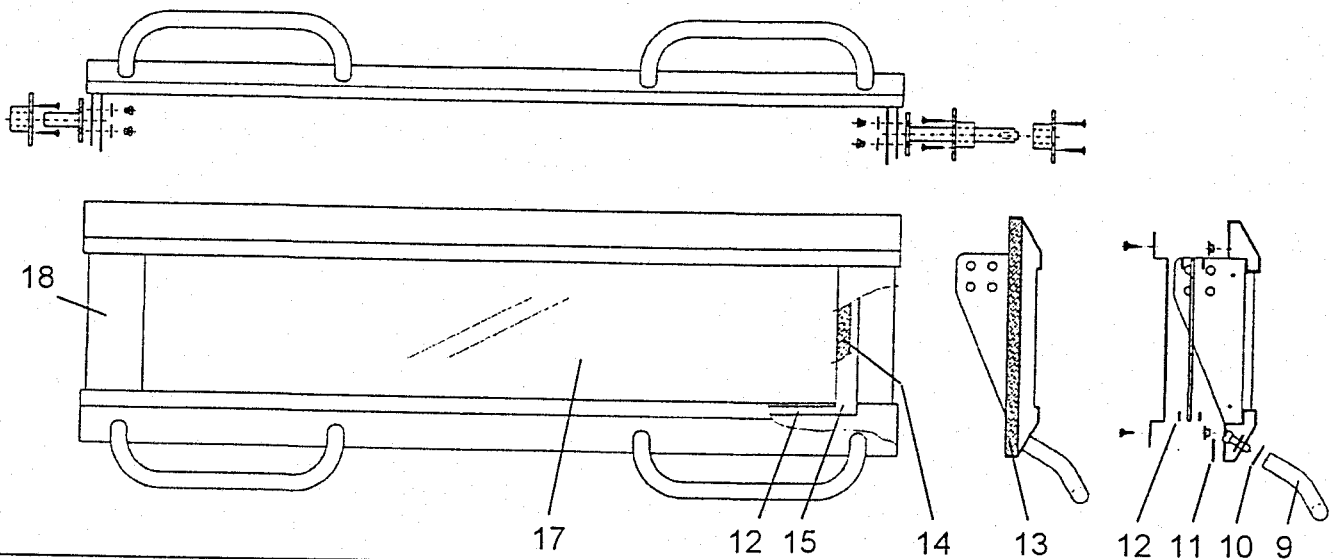
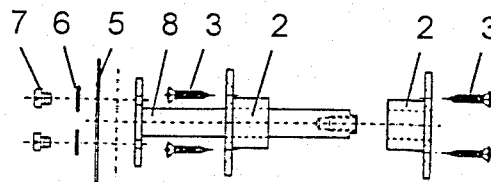
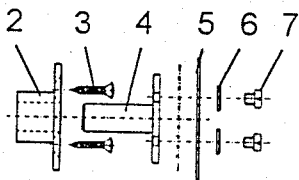
Tür Backenofen



Lucka Pizza

Door Pizza

Tür Pizza

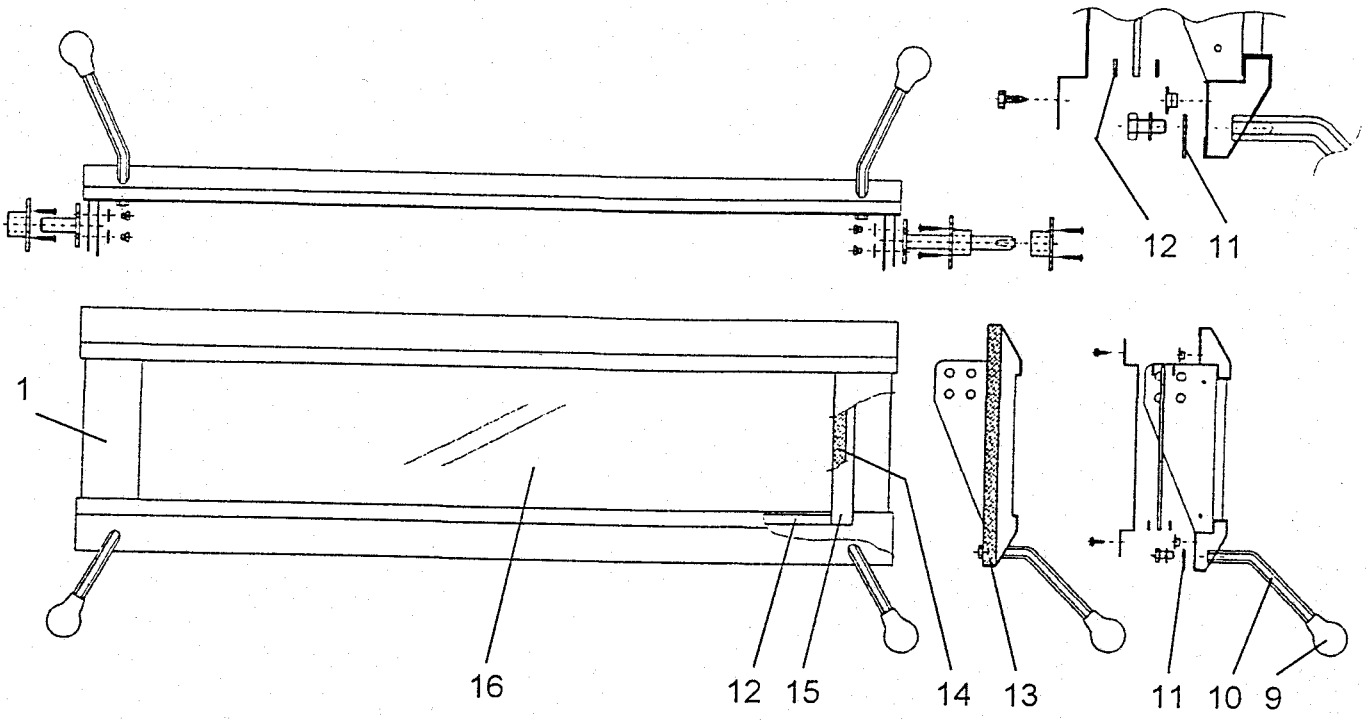
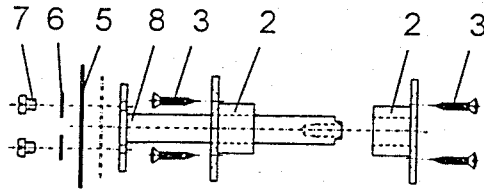
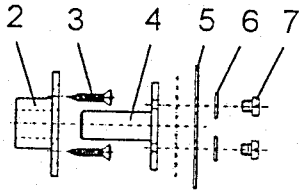


| Pos<br>Fig.<br>Teil | Best.nr<br>Order No<br>Best.Nr | Benämning            | Description           | Benennung               | Anm.<br>Notes<br>Anm.   |
|---------------------|--------------------------------|----------------------|-----------------------|-------------------------|-------------------------|
| 1                   | 215787-80                      | Glaslucka kompl.     | Glassdoor complete    | Glastür. komplett       | DC-1 Låg/Low/Beliebig   |
| 1                   | 215787-81                      | Glaslucka kompl.     | Glassdoor complete    | Glastür. komplett       | DC-2 Låg/Low/Beliebig   |
| 1                   | 215787-82                      | Glaslucka kompl.     | Glassdoor complete    | Glastür. komplett       | DC-2ELåg/Low/Beliebig   |
| 1                   | 215787-83                      | Glaslucka kompl.     | Glassdoor complete    | Glastür. komplett       | DC-3 Låg/Low/Beliebig   |
| 1                   | 215787-84                      | Glaslucka kompl.     | Glassdoor complete    | Glastür. komplett       | DC-4 Låg/Low/Beliebig   |
| 1                   | 215787-85                      | Glaslucka kompl.     | Glassdoor complete    | Glastür. komplett       | DC-1 Hög/High/Hoch      |
| 1                   | 215787-86                      | Glaslucka kompl.     | Glassdoor complete    | Glastür. komplett       | DC-2 Hög/High/Hoch      |
| 1                   | 215787-87                      | Glaslucka kompl.     | Glassdoor complete    | Glastür. komplett       | DC-2E Hög/High/Hoch     |
| 1                   | 215787-88                      | Glaslucka kompl.     | Glassdoor complete    | Glastür. komplett       | DC-3 Hög/High/Hoch      |
| 1                   | 215787-89                      | Glaslucka kompl.     | Glassdoor complete    | Glastür. komplett       | DC-4 Hög/High/Hoch      |
| 2                   | 416382-01                      | Lucklager            | Door bearing          | Türlager                |                         |
| 3                   | 60028-413                      | Skruv                | Screw                 | Schraube                | KFXS B10 x 19           |
| 4                   | 410346-80                      | Luckaxel kort        | Door shaft, short     | Türachse, kurz          | L=45 Vänster/Left/Link  |
| 5                   | 414779-01                      | Klämbricka           | Clamp washer          | Klemmscheibe            | t=1,5 O70               |
| 6                   | 60010-153                      | Bricka               | Washer                | Scheibe                 | 6,3 x 16 RFR            |
| 7                   | 60030-360                      | Skruv                | Screw                 | Schraube                | MCS 6 x 8               |
| 8                   | 417069-80                      | Luckaxel lång        | Door shaft, long      | Türachse, lang          | L=128 Höger/Right/Recht |
| 9                   | 319108-01                      | Luckhandtag bygel    | Doorhandle            | Türgriff                | Ø19 x 100 x 250 mm      |
| 10                  | 416366-01                      | Teflonbricka         | Teflon washer         | Teflon Scheibe          | t=1,5 O25               |
| 11                  | 65067-191                      | Packning             | Gasket                | Dichtung                | DC-1 L=635 mm           |
| 11                  | 65067-191                      | Packning             | Gasket                | Dichtung                | DC-2 L= 950 mm          |
| 11                  | 65067-191                      | Packning             | Gasket                | Dichtung                | DC-2E L= 1265 mm        |
| 11                  | 65067-191                      | Packning             | Gasket                | Dichtung                | DC-3 L= 1580 mm         |
| 11                  | 65067-191                      | Packning             | Gasket                | Dichtung                | DC-4 L= 1895 mm         |
| 12                  | 65067-119                      | Tätning              | Gasket                | Dichtung                | DC-1 L= 2500 mm         |
| 12                  | 65067-119                      | Tätning              | Gasket                | Dichtung                | DC-2 L= 3700 mm         |
| 12                  | 65067-119                      | Tätning              | Gasket                | Dichtung                | DC-2E L= 5000 mm        |
| 12                  | 65067-119                      | Tätning              | Gasket                | Dichtung                | DC-3 L= 6200 mm         |
| 12                  | 65067-119                      | Tätning              | Gasket                | Dichtung                | DC-4 L= 7500 mm         |
| 13                  | 417165-80                      | Luckpackning låg     | Door gasket low       | Türdichtung niedrig     | L=215mm, Ø15mm          |
| 13                  | 417165-81                      | Luckpackning hög     | Door gasket high      | Türdichtung hoch        | L=275mm, Ø15mm          |
| 14                  | 65142-815                      | Glasfiberslang       | Glass fibre house     | Glasfiberschlauch       | L= 130 mm (x2)          |
| 14                  | 65142-815                      | Glasfiberslang       | Glass fibre house     | Glasfiberschlauch       | L= 190 mm (x2)          |
| 15                  | 65067-191                      | Packning             | Gasket                | Dichtung                | L= 130 mm (x2)          |
| 15                  | 65067-191                      | Packning             | Gasket                | Dichtung                | L= 190 mm (x2)          |
| 16                  | 318657-01                      | Luckglas härdat      | Door glass toughened  | Türglas, gehärtet       | DC-1 4x127x610mm        |
| 16                  | 318657-02                      | Luckglas härdat      | Door glass toughened  | Türglas, gehärtet       | DC-2 4x127x925mm        |
| 16                  | 318657-03                      | Luckglas härdat      | Door glass toughened  | Türglas, gehärtet       | DC-2E 4x127x1240mm      |
| 16                  | 318657-04                      | Luckglas härdat      | Door glass toughened  | Türglas, gehärtet       | DC-3 4x127x1555mm       |
| 16                  | 318657-05                      | Luckglas härdat      | Door glass toughened  | Türglas, gehärtet       | DC-4 4x127x1870mm       |
| 16                  | 318657-06                      | Luckglas härdat      | Door glass toughened  | Türglas, gehärtet       | DC-1 4x187x610mm        |
| 16                  | 318657-07                      | Luckglas härdat      | Door glass toughened  | Türglas, gehärtet       | DC-2 4x187x925mm        |
| 16                  | 318657-08                      | Luckglas härdat      | Door glass toughened  | Türglas, gehärtet       | DC-2E 4x187x1240mm      |
| 16                  | 318657-09                      | Luckglas härdat      | Door glass toughened  | Türglas, gehärtet       | DC-3 4x187x1555mm       |
| 16                  | 318657-10                      | Luckglas härdat      | Door glass toughened  | Türglas, gehärtet       | DC-4 4x187x1870mm       |
| 17                  | 318900-01                      | Luckglas keramiskt   | Door glass ceramic    | Türglas, keramisch      | DC-1P 4x127x610mm       |
| 17                  | 318900-02                      | Luckglas keramiskt   | Door glass ceramic    | Türglas, keramisch      | DC-2P 4x127x925mm       |
| 17                  | 318900-03                      | Luckglas keramiskt   | Door glass ceramic    | Türglas, keramisch      | DC-2EP 4x127x1240mm     |
| 17                  | 318900-04                      | Luckglas keramiskt   | Door glass ceramic    | Türglas, keramisch      | DC-3P 4x127x1555mm      |
| 17                  | 318900-06                      | Luckglas keramiskt   | Door glass ceramic    | Türglas, keramisch      | DC-1P 4x187x610mm       |
| 17                  | 318900-07                      | Luckglas keramiskt   | Door glass ceramic    | Türglas, keramisch      | DC-2P 4x187x925mm       |
| 17                  | 318900-08                      | Luckglas keramiskt   | Door glass ceramic    | Türglas, keramisch      | DC-2EP 4x187x1240mm     |
| 17                  | 318900-09                      | Luckglas keramiskt   | Door glass ceramic    | Türglas, keramisch      | DC-3P 4x187x1555mm      |
| 18                  | 215955-80                      | Glaslucka kpl. Pizza | Glassdoor compl.Pizza | Glastür. komplett Pizza | DC-1P Låg/Low/Beliebig  |
| 18                  | 215955-81                      | Glaslucka kpl. Pizza | Glassdoor compl.Pizza | Glastür. komplett Pizza | DC-2P Låg/Low/Beliebig  |
| 18                  | 215955-82                      | Glaslucka kpl. Pizza | Glassdoor compl.Pizza | Glastür. komplett Pizza | DC-2EP Låg/Low/Beliebig |
| 18                  | 215955-83                      | Glaslucka kpl. Pizza | Glassdoor compl.Pizza | Glastür. komplett Pizza | DC-3P Låg/Low/Beliebig  |
| 18                  | 215955-85                      | Glaslucka kpl. Pizza | Glassdoor compl.Pizza | Glastür. komplett Pizza | DC-1P Hög/High/Hoch     |
| 18                  | 215955-86                      | Glaslucka kpl. Pizza | Glassdoor compl.Pizza | Glastür. komplett Pizza | DC-2P Hög/High/Hoch     |
| 18                  | 215955-87                      | Glaslucka kpl. Pizza | Glassdoor compl.Pizza | Glastür. komplett Pizza | DC-2EP Hög/High/Hoch    |
| 18                  | 215955-88                      | Glaslucka kpl. Pizza | Glassdoor compl.Pizza | Glastür. komplett Pizza | DC-3P Hög/High/Hoch     |

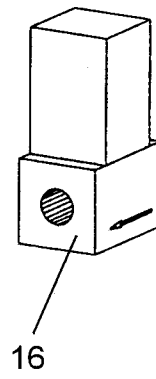
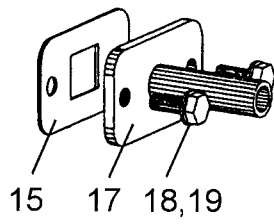
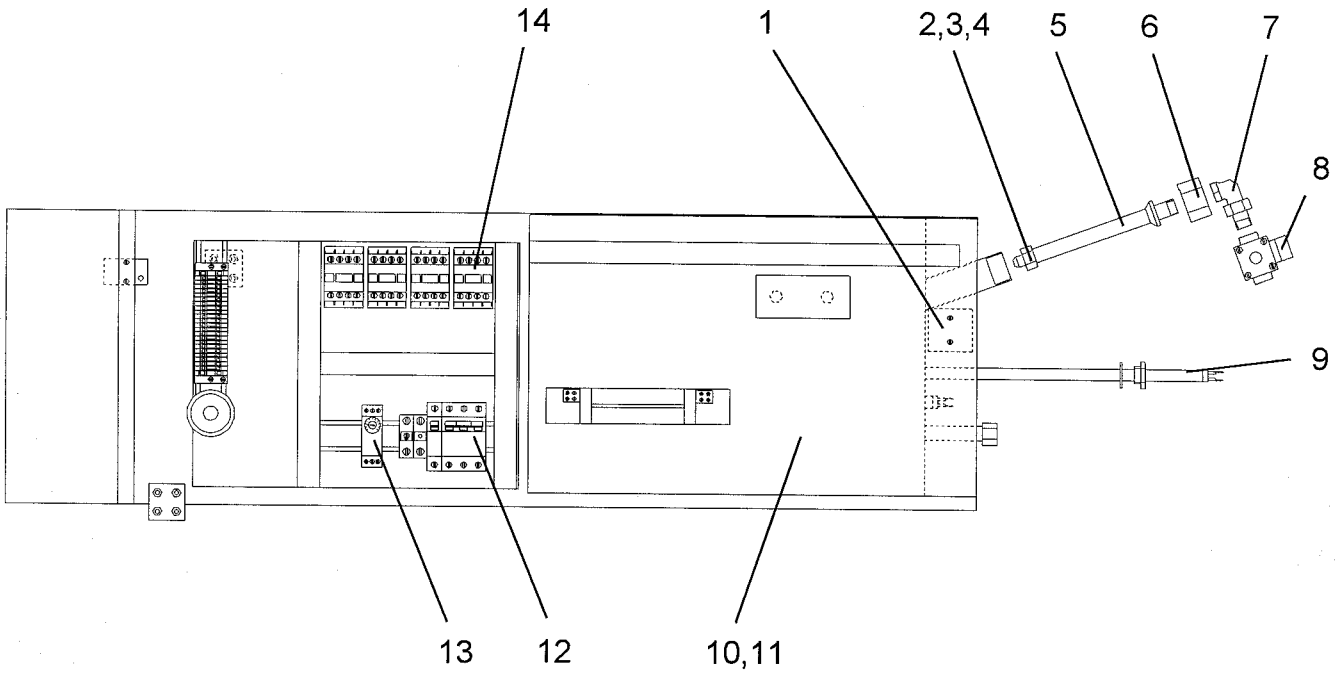
Lucka Pizza England


Door Pizza England

Tür Pizza England



| Pos<br>Fig.<br>Teil | Best.nr<br>Order No<br>Best.Nr | Benämning              | Description           | Benennung               | Anm.<br>Notes<br>Anm.   |
|---------------------|--------------------------------|------------------------|-----------------------|-------------------------|-------------------------|
| 1                   | 215788-80                      | Glaslucka kompl. Engl. | Glassdoor complete E. | Glastür, komplett Engl. | DC-1 Låg/Low/Beliebig   |
| 1                   | 215788-81                      | Glaslucka kompl. Engl. | Glassdoor complete E. | Glastür, komplett Engl. | DC-2 Låg/Low/Beliebig   |
| 1                   | 215788-82                      | Glaslucka kompl. Engl. | Glassdoor complete E. | Glastür, komplett Engl. | DC-2ELåg/Low/Beliebig   |
| 1                   | 215788-83                      | Glaslucka kompl. Engl. | Glassdoor complete E. | Glastür, komplett Engl. | DC-3 Låg/Low/Beliebig   |
| 1                   | 215788-85                      | Glaslucka kompl. Engl. | Glassdoor complete E. | Glastür, komplett Engl. | DC-1 Hög/High/Hoch      |
| 1                   | 215788-86                      | Glaslucka kompl. Engl. | Glassdoor complete E. | Glastür, komplett Engl. | DC-2 Hög/High/Hoch      |
| 1                   | 215788-87                      | Glaslucka kompl. Engl. | Glassdoor complete E. | Glastür, komplett Engl. | DC-2E Hög/High/Hoch     |
| 1                   | 215788-88                      | Glaslucka kompl. Engl. | Glassdoor complete E. | Glastür, komplett Engl. | DC-3 Hög/High/Hoch      |
| 2                   | 416382-01                      | Lucklager              | Door bearing          | Türlager                |                         |
| 3                   | 60028-413                      | Skruv                  | Screw                 | Schraube                | KFXS B10 x 19           |
| 4                   | 410346-80                      | Luckaxel kort          | Door shaft, short     | Türachse, kurz          | L=45 Vänster/Left/Link  |
| 5                   | 414779-01                      | Klämbricka             | Clamp washer          | Klemmscheibe            | t=1,5 070               |
| 6                   | 60010-153                      | Bricka                 | Washer                | Scheibe                 | 6,3 x 16 RFR            |
| 7                   | 60030-360                      | Skruv                  | Screw                 | Schraube                | MCS 6 x 8               |
| 8                   | 417069-80                      | Luckaxel lång          | Door shaft, long      | Türachse, lang          | L=128 Höger/Right/Recht |
| 9                   | 60453-800                      | Päronknopp             | Pear-shaped knob      | Birnen-föribiger knopf  | L=52 mm, Ø39 mm         |
| 10                  | 417026-01                      | Luckhandtag            | Doorhandle            | Türgriff                | 12 mm 6k                |
| 11                  | 65067-191                      | Packning               | Gasket                | Dichtung                | DC-1 L= 635 mm          |
| 11                  | 65067-191                      | Packning               | Gasket                | Dichtung                | DC-2 L= 950 mm          |
| 11                  | 65067-191                      | Packning               | Gasket                | Dichtung                | DC-2E L= 1265 mm        |
| 11                  | 65067-191                      | Packning               | Gasket                | Dichtung                | DC-3 L= 1580 mm         |
| 12                  | 65067-119                      | Tätning                | Gasket                | Dichtung                | DC-1 L= 2500 mm         |
| 12                  | 65067-119                      | Tätning                | Gasket                | Dichtung                | DC-2 L= 3700 mm         |
| 12                  | 65067-119                      | Tätning                | Gasket                | Dichtung                | DC-2E L= 5000 mm        |
| 12                  | 65067-119                      | Tätning                | Gasket                | Dichtung                | DC-3 L= 6200 mm         |
| 13                  | 417165-80                      | Luckpackning låg       | Door gasket low       | Türdichtung niedrig     | L=215mm, Ø15mm          |
| 13                  | 417165-81                      | Luckpackning hög       | Door gasket high      | Türdichtung hoch        | L=275mm, Ø15mm          |
| 14                  | 65142-815                      | Glasfiberslang         | Glass fibre house     | Glasfiberschlauch       | L= 130 mm (x2)          |
| 14                  | 65142-815                      | Glasfiberslang         | Glass fibre house     | Glasfiberschlauch       | L= 190 mm (x2)          |
| 15                  | 65067-191                      | Packning               | Gasket                | Dichtung                | L= 130 mm (x2)          |
| 15                  | 65067-191                      | Packning               | Gasket                | Dichtung                | L= 190 mm (x2)          |
| 16                  | 318900-01                      | Luckglas keramiskt     | Door glass ceramic    | Türglas, keramisch      | DC-1 4x127x610mm        |
| 16                  | 318900-02                      | Luckglas keramiskt     | Door glass ceramic    | Türglas, keramisch      | DC-2 4x127x925mm        |
| 16                  | 318900-03                      | Luckglas keramiskt     | Door glass ceramic    | Türglas, keramisch      | DC-2E 4x127x1240mm      |
| 16                  | 318900-04                      | Luckglas keramiskt     | Door glass ceramic    | Türglas, keramisch      | DC-3 4x127x1555mm       |
| 16                  | 318900-06                      | Luckglas keramiskt     | Door glass ceramic    | Türglas, keramisch      | DC-1 4x187x610mm        |
| 16                  | 318900-07                      | Luckglas keramiskt     | Door glass ceramic    | Türglas, keramisch      | DC-2 4x187x925mm        |
| 16                  | 318900-08                      | Luckglas keramiskt     | Door glass ceramic    | Türglas, keramisch      | DC-2E 4x187x1240mm      |
| 16                  | 318900-09                      | Luckglas keramiskt     | Door glass ceramic    | Türglas, keramisch      | DC-3 4x187x1555mm       |



|  |      |       |       |  |
|--|------|-------|-------|--|
|  | Ånga | Steam | Dampf |  |
|--|------|-------|-------|--|

## Ångalstrare

## Steam Generator

## Dampfgenerator

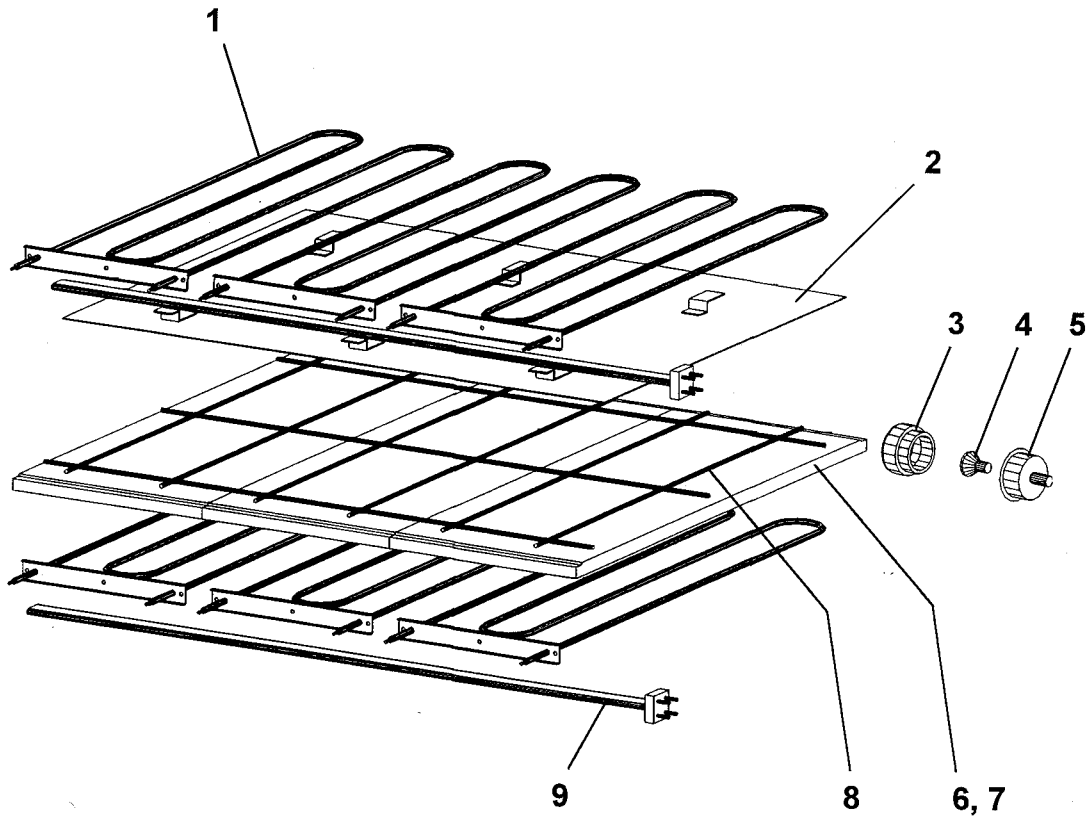
| Pos<br>Fig.<br>Teil | Best.nr<br>Order No<br>Best.Nr | Benämning                     | Description                  | Benennung                    | Anm.<br>Notes<br>Anm.  |
|---------------------|--------------------------------|-------------------------------|------------------------------|------------------------------|------------------------|
| 1                   | 60283-800                      | Termostat                     | Thermostat                   | Thermostat                   | 300-350 °C             |
| 2                   | 60387-804                      | Dysa                          | Water Jet                    | Duese                        | TIP TG SS 3            |
| 3                   | 60387-803                      | Sil                           | Strainer                     | Sieb                         | 5053-50                |
| 4                   | 60387-802                      | Mutter                        | Nut                          | Mutter                       | CCP 14761-3/8" SS      |
| 5                   | 417151-80                      | Dysrör                        | Nozzle pipe                  | Düsenleitung                 | L=180 mm               |
| 6                   | 416870-01                      | Sexkanthuv                    | Hexagonal cap                | Sechskantschraube            |                        |
| 7                   | 60047-111                      | Radiatorkoppling              | Tube coupling                | Rohr- kupplungs              | 90 GR DN 10 Met        |
| 2-8                 | 319057-80                      | Dysrör kompl.                 | Complete nozzle pipe         | Düsenleitung komplett        | 230V                   |
| 2-8                 | 319057-81                      | Dysrör kompl.                 | Complete nozzle pipe         | Düsenleitung komplett        | 110V                   |
| 8                   | 60270-800                      | Magnetventil                  | Solenoid valve               | Solenoid ventile             | 220V 50/60Hz           |
| 8                   | 60270-801                      | Magnetventil                  | Solenoid valve               | Solenoid ventile             | 110V 60Hz              |
| 9                   | 318863-01                      | Element                       | Element                      | Heizkörper                   | 600W 230V              |
| 9                   | 318863-02                      | Element                       | Element                      | Heizkörper                   | 600W 200V              |
| 9                   | 318863-03                      | Element                       | Element                      | Heizkörper                   | 600W 254V              |
| 9                   | 318863-04                      | Element                       | Element                      | Heizkörper                   | 600W 277V              |
| 10                  | 215790-80                      | Ångalstrare komplett          | Steam gen. complete          | Dampferzeuger komplett       | 230V Std. (208/415)    |
| 10                  | 215790-81                      | Ångalstrare komplett          | Steam gen. complete          | Dampferzeuger komplett       | 110V USA (110/208)     |
| 10                  | 215790-82                      | Ångalstrare komplett          | Steam gen. complete          | Dampferzeuger komplett       | 200V Japan (100/200)   |
| 10                  | 215790-83                      | Ångalstrare komplett          | Steam gen. complete          | Dampferzeuger komplett       | 254V Marin (254/440)   |
| 10                  | 215790-84                      | Ångalstrare komplett          | Steam gen. complete          | Dampferzeuger komplett       | 277V USA (277/480)     |
| 11                  | 510912-80                      | Monteringssats<br>Ångalstrare | Mont. set Steam<br>generator | Montagesatz<br>Dampferzeuger |                        |
| 12                  | 60232-807                      | Automatsäkring                | Circuit breaker              | Automatsicherung             | 3-polig 10A            |
| 13                  | 60472-800                      | Tidrelä                       | Time relay                   | Zeitrelais                   | 0-100 sec. 220V50/60Hz |
| 13                  | 60472-801                      | Tidrelä                       | Time relay                   | Zeitrelais                   | 0-100 sec. 110V50/60Hz |
| 14                  | 60374-800                      | Kontaktor                     | Contactora                   | Schüts                       | 25/20A 220V 50/60Hz    |
| 14                  | 60374-804                      | Kontaktor                     | Contactora                   | Schüts                       | 20A 110V 60Hz          |

## Extern ånga


## External steam

## Externem Dampf

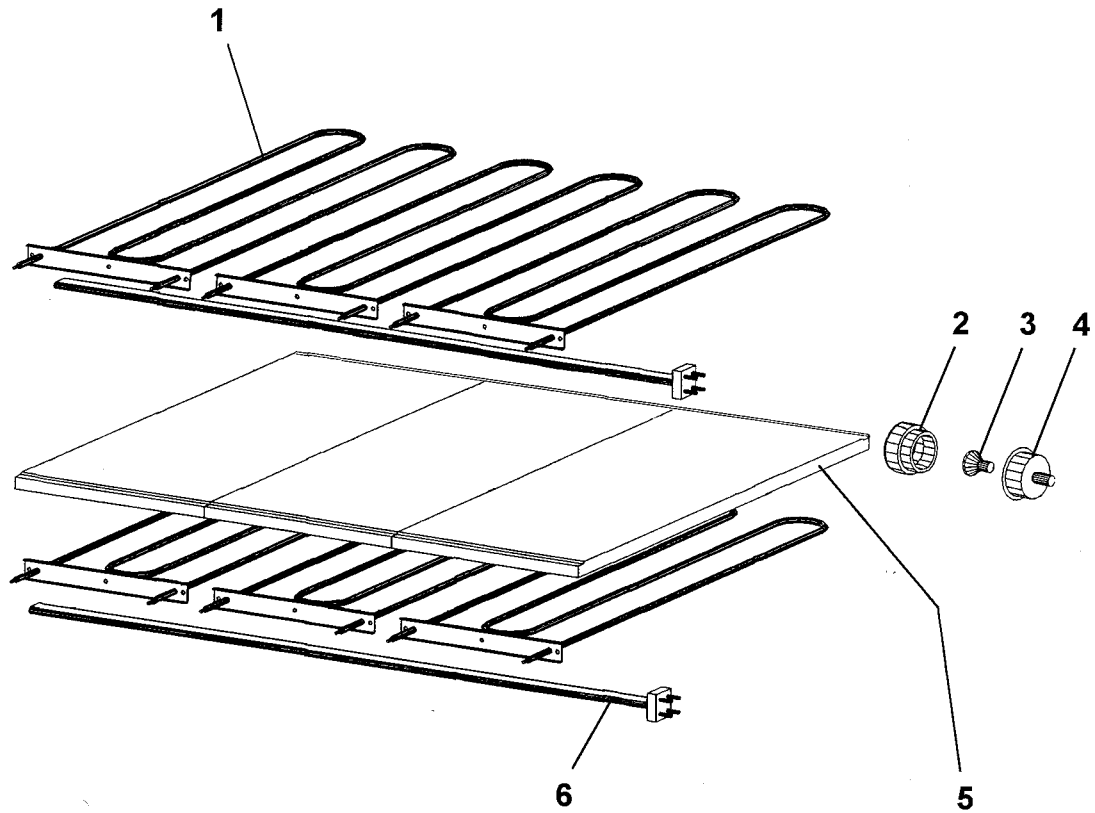
| Pos<br>Fig.<br>Teil | Best.nr<br>Order No<br>Best.Nr | Benämning    | Description     | Benennung        | Anm.<br>Notes<br>Anm.  |
|---------------------|--------------------------------|--------------|-----------------|------------------|------------------------|
| 15                  | 417166-01                      | Packning     | Gasket          | Dichtung         | 1,5 x 45 x 80 Graphite |
| 16                  | 60249-800                      | Magnetventil | Solenoid valve  | Solenoid ventile | 220V                   |
| 16                  | 60249-804                      | Magnetventil | Solenoid valve  | Solenoid ventile | 110V                   |
| 17                  | 417740-80                      | Fläns kompl. | Complete flange | Flansch komplett |                        |
| 18                  | 60017-451                      | Skruv        | Screw           | Schraube         | M8 x 20                |
| 19                  | 60010-165                      | Bricka       | Washer          | Scheibe          | 8,4 x 17               |




|       |      |       |       |       |       |       |       |
|-------|------|-------|-------|-------|-------|-------|-------|
| DC-1  | 300W | 900W  | 900W  |       |       |       |       |
|       | 300W | 1300W | 1300W |       |       |       |       |
| DC-2  | 450W | 900W  | 700W  | 900W  |       |       |       |
|       | 450W | 1300W | 900W  | 1300W |       |       |       |
| DC-2E | 600W | 900W  | 700W  | 700W  | 900W  |       |       |
|       | 600W | 1300W | 900W  | 900W  | 1300W |       |       |
| DC-3  | 750W | 900W  | 700W  | 700W  | 700W  | 900W  |       |
|       | 750W | 1300W | 900W  | 900W  | 900W  | 1300W |       |
| DC-4  | 900W | 900W  | 700W  | 700W  | 700W  | 700W  | 900W  |
|       | 900W | 1300W | 900W  | 900W  | 900W  | 900W  | 1300W |

|   |                   |                           |                        |  |
|---|-------------------|---------------------------|------------------------|--|
|  | Ugnsrum<br>Bakugn | Oven chamber<br>Bake oven | Ofenraum<br>Backenofen |  |
|---|-------------------|---------------------------|------------------------|--|

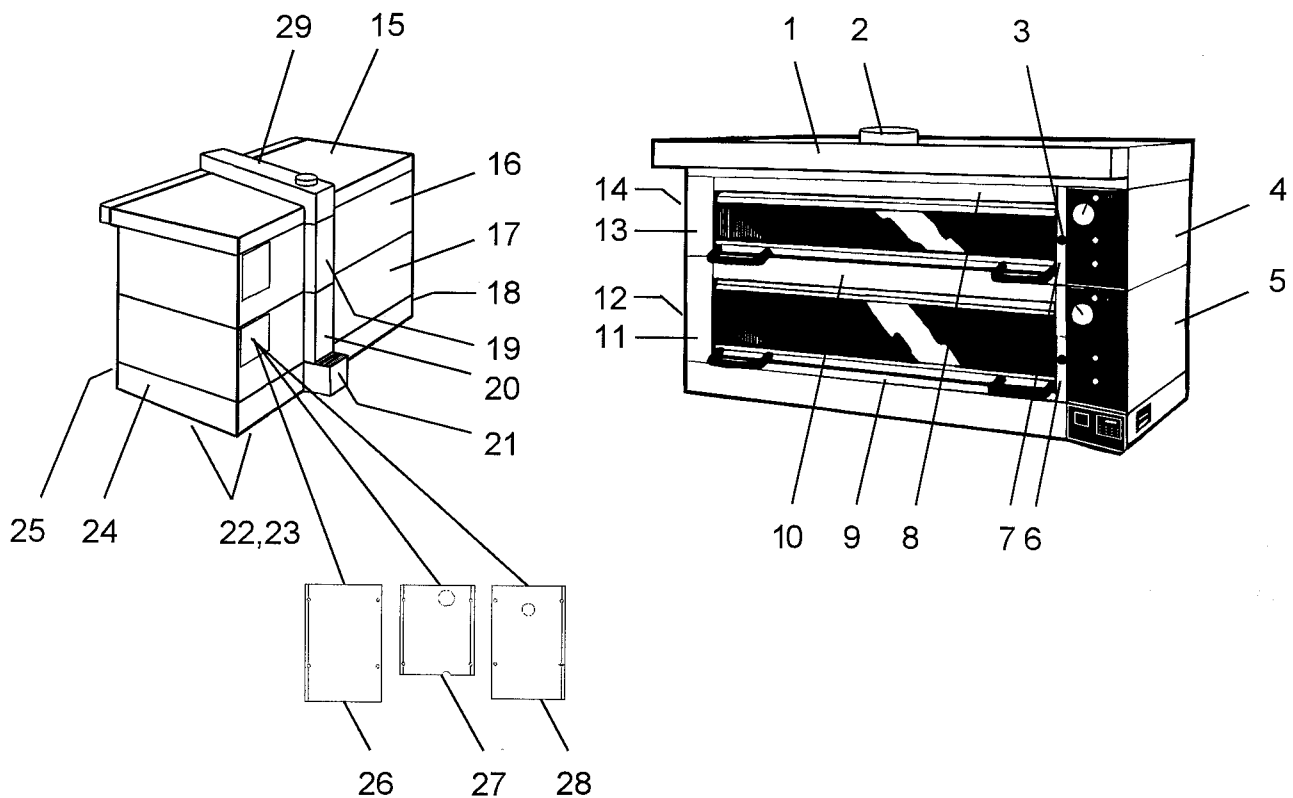
| Pos<br>Fig.<br>Teil | Best.nr<br>Order No<br>Best.Nr | Benämning      | Description          | Benennung        | Anm.<br>Notes<br>Anm. |
|---------------------|--------------------------------|----------------|----------------------|------------------|-----------------------|
| 1                   | 318862-01                      | Element        | Element              | Heizkörper       | 700W 200V             |
| 1                   | 318862-03                      | Element        | Element              | Heizkörper       | 700W 230V             |
| 1                   | 318862-05                      | Element        | Element              | Heizkörper       | 700W 440V             |
| 1                   | 318862-06                      | Element        | Element              | Heizkörper       | 700W 480V             |
| 1                   | 318862-11                      | Element        | Element              | Heizkörper       | 900W 200V             |
| 1                   | 318862-13                      | Element        | Element              | Heizkörper       | 900W 230V             |
| 1                   | 318862-15                      | Element        | Element              | Heizkörper       | 900W 440V             |
| 1                   | 318862-16                      | Element        | Element              | Heizkörper       | 900W 480V             |
| 1                   | 318862-21                      | Element        | Element              | Heizkörper       | 1300W 200V            |
| 1                   | 318862-23                      | Element        | Element              | Heizkörper       | 1300W 230V            |
| 1                   | 318862-25                      | Element        | Element              | Heizkörper       | 1300W 440V            |
| 1                   | 318862-26                      | Element        | Element              | Heizkörper       | 1300W 480V            |
| 2                   | 215869-80                      | Strålningskydd | Radiation protection | Strahlungsblech  | DC-1 595 x 700 mm     |
| 2                   | 215869-81                      | Strålningskydd | Radiation protection | Strahlungsblech  | DC-2 910 x 700 mm     |
| 2                   | 215869-82                      | Strålningskydd | Radiation protection | Strahlungsblech  | DC-2E 1225 x 700 mm   |
| 2                   | 215869-83                      | Strålningskydd | Radiation protection | Strahlungsblech  | DC-3 1540 x 700 mm    |
| 2                   | 215869-84                      | Strålningskydd | Radiation protection | Strahlungsblech  | DC-4 1855 x 700 mm    |
| 3                   | 417396-02                      | Lampglas       | Lamp glasses         | Lampenschutzglas | (Halogen)             |
| 4                   | 60474-800                      | Halogenlampa   | Halogen lamp         | Halogenlampe     | B 15d 12V 20W         |
| 5                   | 417396-80                      | Lamphållare    | Lamp holder          | Lampenfassungen  | Kompl./Kompl./Kompl.  |
| 6                   | 318652-01                      | Cementhård     | Stone sole           | Steinplatte      | 20 x 315 x 840 mm     |
| 7                   | 215791-01                      | Plåthård       | Steel plate          | Blechfeuerstelle | 20 x 315 x 840 mm     |
| 8                   | 215786-80                      | Hårdgaller     | Hearth grid          | Herdgitter       | DC-1 605 x 770 mm     |
| 8                   | 215786-81                      | Hårdgaller     | Hearth grid          | Herdgitter       | DC-2 920 x 770 mm     |
| 8                   | 215786-82                      | Hårdgaller     | Hearth grid          | Herdgitter       | DC-2E 1235 x 770 mm   |
| 8                   | 215786-83                      | Hårdgaller     | Hearth grid          | Herdgitter       | DC-3 1550 x 770 mm    |
| 8                   | 215786-84                      | Hårdgaller     | Hearth grid          | Herdgitter       | DC-4 1865 x 770 mm    |
| 9                   | 723172-80                      | Element        | Element              | Heizkörper       | 300W 230V             |
| 9                   | 723173-80                      | Element        | Element              | Heizkörper       | 450W 230V             |
| 9                   | 723174-80                      | Element        | Element              | Heizkörper       | 600W 230V             |
| 9                   | 723175-80                      | Element        | Element              | Heizkörper       | 750W 230V             |
| 9                   | 723176-80                      | Element        | Element              | Heizkörper       | 900W 230V             |
| 9                   | 723214-80                      | Element        | Element              | Heizkörper       | 300W 200V             |
| 9                   | 723215-80                      | Element        | Element              | Heizkörper       | 450W 200V             |
| 9                   | 723216-80                      | Element        | Element              | Heizkörper       | 600W 200V             |
| 9                   | 723217-80                      | Element        | Element              | Heizkörper       | 750W 200V             |
| 9                   | 723218-80                      | Element        | Element              | Heizkörper       | 900W 200V             |



|        |       |       |       |       |       |
|--------|-------|-------|-------|-------|-------|
| DC-1P  | 500W  | 1300W | 1300W |       |       |
|        | 500W  | 900W  | 900W  |       |       |
| DC-2P  | 750W  | 1300W | 1300W | 1300W |       |
|        | 750W  | 900W  | 700W  | 900W  |       |
| DC-2EP | 1000W | 1300W | 1300W | 1300W | 1300W |
|        | 1000W | 900W  | 700W  | 700W  | 900W  |
| DC-3P  | 1250W | 1300W | 1300W | 1300W | 1300W |
|        | 1250W | 900W  | 700W  | 700W  | 900W  |

|  |                  |                       |                   |  |
|--|------------------|-----------------------|-------------------|--|
|  | Ugnsrum<br>Pizza | Oven chamber<br>Pizza | Ofenraum<br>Pizza |  |
|--|------------------|-----------------------|-------------------|--|

| Pos<br>Fig.<br>Teil | Best.nr<br>Order No<br>Best.Nr | Benämning    | Description  | Benennung        | Anm.<br>Notes<br>Anm. |
|---------------------|--------------------------------|--------------|--------------|------------------|-----------------------|
| 1                   | 318862-01                      | Element      | Element      | Heizkörper       | 700W 200V             |
| 1                   | 318862-03                      | Element      | Element      | Heizkörper       | 700W 230V             |
| 1                   | 318862-05                      | Element      | Element      | Heizkörper       | 700W 440V             |
| 1                   | 318862-06                      | Element      | Element      | Heizkörper       | 700W 480V             |
| 1                   | 318862-11                      | Element      | Element      | Heizkörper       | 900W 200V             |
| 1                   | 318862-13                      | Element      | Element      | Heizkörper       | 900W 230V             |
| 1                   | 318862-15                      | Element      | Element      | Heizkörper       | 900W 440V             |
| 1                   | 318862-16                      | Element      | Element      | Heizkörper       | 900W 480V             |
| 1                   | 318862-21                      | Element      | Element      | Heizkörper       | 1300W 200V            |
| 1                   | 318862-23                      | Element      | Element      | Heizkörper       | 1300W 230V            |
| 1                   | 318862-25                      | Element      | Element      | Heizkörper       | 1300W 440V            |
| 1                   | 318862-26                      | Element      | Element      | Heizkörper       | 1300W 480V            |
| 2                   | 417396-02                      | Lampglas     | Lamp glasses | Lampenschutzglas | (Halogen)             |
| 3                   | 60474-800                      | Halogenlampa | Halogen lamp | Halogenlampe     | B 15d 12V 20W         |
| 4                   | 417396-80                      | Lamphållare  | Lamp holder  | Lampenfassungen  | Kompl./Compl./Kompl.  |
| 5                   | 318652-01                      | Cementhård   | Stone sole   | Steinplatte      | 20 x 315 x 840 mm     |
| 6                   | 723177-80                      | Element      | Element      | Heizkörper       | 500W 230V             |
| 6                   | 723178-80                      | Element      | Element      | Heizkörper       | 750W 230V             |
| 6                   | 723179-80                      | Element      | Element      | Heizkörper       | 1000W 230V            |
| 6                   | 723180-80                      | Element      | Element      | Heizkörper       | 1250W 230V            |
| 6                   | 723219-80                      | Element      | Element      | Heizkörper       | 500W 200V             |
| 6                   | 723220-80                      | Element      | Element      | Heizkörper       | 750W 200V             |
| 6                   | 723221-80                      | Element      | Element      | Heizkörper       | 1000W 200V            |
| 6                   | 723222-80                      | Element      | Element      | Heizkörper       | 1250W 200V            |



| Pos<br>Fig.<br>Teil | Best.nr<br>Order No<br>Best.Nr | Benämning           | Description             | Benennung                    | Anm.<br>Notes<br>Anm. |
|---------------------|--------------------------------|---------------------|-------------------------|------------------------------|-----------------------|
| 1                   | 319099-80                      | Imkåpa kompl.       | Canopy complete         | Dunstabzugshaube komp.       | DC-1 L=1075mm         |
| 1                   | 319099-81                      | Imkåpa kompl.       | Canopy complete         | Dunstabzugshaube komp.       | DC-2 L=1390mm         |
| 1                   | 319099-82                      | Imkåpa kompl.       | Canopy complete         | Dunstabzugshaube komp.       | DC-2E L=1705mm        |
| 1                   | 319099-83                      | Imkåpa kompl.       | Canopy complete         | Dunstabzugshaube komp.       | DC-3 L=2020mm         |
| 1                   | 319099-84                      | Imkåpa kompl.       | Canopy complete         | Dunstabzugshaube komp.       | DC-4 L=2335mm         |
| 2                   | 416406-01                      | Inloppsring         | Inlet ring              | Einlaufsring                 | 44 Ø150/175           |
| 3                   | 60453-800                      | Päronknopp          | Pear-shaped knob        | Birnen-föribiger knopf       | L=52 mm, Ø39 mm       |
| 4                   | 215700-01                      | Yttersida höger låg | Outer side, right, low  | Aussenseite, rechts, niedrig | 340 x 995 mm          |
| 5                   | 215700-02                      | Yttersida höger hög | Outer side, right, high | Aussenseite, rechts, hoch    | 400 x 995 mm          |
| 6                   | 215864-02                      | Front höger hög     | Front, right, high      | Front, rechts, hoch          | H=400 mm              |
| 7                   | 215864-01                      | Front höger låg     | Front, right, low       | Front, rechts, niedrig       | H=340 mm              |
| 8                   | 215686-01                      | Frontplåt övre      | Frontplate, superior    | obere Frontplatte            | DC-1 L=634 mm         |
| 8                   | 215686-02                      | Frontplåt övre      | Frontplate, superior    | obere Frontplatte            | DC-2 L=949 mm         |
| 8                   | 215686-03                      | Frontplåt övre      | Frontplate, superior    | obere Frontplatte            | DC-2E L=1264 mm       |
| 8                   | 215686-04                      | Frontplåt övre      | Frontplate, superior    | obere Frontplatte            | DC-3 L=1579 mm        |
| 8                   | 215686-05                      | Frontplåt övre      | Frontplate, superior    | obere Frontplatte            | DC-4 L=1894 mm        |
| 9                   | 215687-01                      | Frontplåt undre     | Frontplate, inferior    | untere Frontplatte           | DC-1 L=634 mm         |
| 9                   | 215687-02                      | Frontplåt undre     | Frontplate, inferior    | untere Frontplatte           | DC-2 L=949 mm         |
| 9                   | 215687-03                      | Frontplåt undre     | Frontplate, inferior    | untere Frontplatte           | DC-2E L=1264 mm       |
| 9                   | 215687-04                      | Frontplåt undre     | Frontplate, inferior    | untere Frontplatte           | DC-3 L=1579 mm        |
| 9                   | 215687-05                      | Frontplåt undre     | Frontplate, inferior    | untere Frontplatte           | DC-4 L=1894 mm        |
| 10                  | 215806-01                      | Frontplåt dubbel    | Frontplate, double      | doppelte Frontplatte         | DC-1 L=634 mm         |
| 10                  | 215806-02                      | Frontplåt dubbel    | Frontplate, double      | doppelte Frontplatte         | DC-2 L=949 mm         |
| 10                  | 215806-03                      | Frontplåt dubbel    | Frontplate, double      | doppelte Frontplatte         | DC-2E L=1264 mm       |
| 10                  | 215806-04                      | Frontplåt dubbel    | Frontplate, double      | doppelte Frontplatte         | DC-3 L=1579 mm        |
| 10                  | 215806-05                      | Frontplåt dubbel    | Frontplate, double      | doppelte Frontplatte         | DC-4 L=1894 mm        |

| Pos<br>Fig.<br>Teil | Best.nr<br>Order No<br>Best.Nr | Benämning               | Description             | Benennung                       | Anm.<br>Notes<br>Anm. |
|---------------------|--------------------------------|-------------------------|-------------------------|---------------------------------|-----------------------|
| 11                  | 215697-02                      | Front vänster hög       | Front, left, high       | Front, links hoch               | H=400 mm              |
| 12                  | 215699-02                      | Yttersida vänster hög   | Outer side, left, high  | Aussenseite,links,hoch          | 400 x 995 mm          |
| 13                  | 215697-01                      | Front vänster låg       | Front, left, low        | Front, links niedrig            | H=340 mm              |
| 14                  | 215699-01                      | Yttersida vänster låg   | Outer side, left, low   | Aussenseite,links,niedrig       | 340 x 995 mm          |
| 15                  | 215783-80                      | Toppsektion             | Top section             | Obere Sektion                   | DC-1 1070 x 1075 mm   |
| 15                  | 215783-81                      | Toppsektion             | Top section             | Obere Sektion                   | DC-2 1070 x 1390 mm   |
| 15                  | 215783-82                      | Toppsektion             | Top section             | Obere Sektion                   | DC-2E 1070 x 1705 mm  |
| 15                  | 215783-83                      | Toppsektion             | Top section             | Obere Sektion                   | DC-3 1070 x 2020 mm   |
| 15                  | 215783-84                      | Toppsektion             | Top section             | Obere Sektion                   | DC-4 1070 x 2335 mm   |
| 16                  | 215890-01                      | Yttersida bak låg       | Rear outside, low       | Hintere Aus.seite niedrig       | DC-1 340 x 1034 mm    |
| 16                  | 215890-02                      | Yttersida bak låg       | Rear outside, low       | Hintere Aus.seite niedrig       | DC-2 340 x 1349 mm    |
| 16                  | 215890-03                      | Yttersida bak låg       | Rear outside, low       | Hintere Aus.seite niedrig       | DC-2E 340 x 1664 mm   |
| 16                  | 215890-04                      | Yttersida bak låg       | Rear outside, low       | Hintere Aus.seite niedrig       | DC-3 340 x 1979 mm    |
| 16                  | 215890-05                      | Yttersida bak låg       | Rear outside, low       | Hintere Aus.seite niedrig       | DC-4 340 x 2294 mm    |
| 17                  | 215890-06                      | Yttersida bak hög       | Rear outside, high      | Hintere Aussenseite hoch        | DC-1 400 x 1034 mm    |
| 17                  | 215890-07                      | Yttersida bak hög       | Rear outside, high      | Hintere Aussenseite hoch        | DC-2 400 x 1349 mm    |
| 17                  | 215890-08                      | Yttersida bak hög       | Rear outside, high      | Hintere Aussenseite hoch        | DC-2E 400 x 1664 mm   |
| 17                  | 215890-09                      | Yttersida bak hög       | Rear outside, high      | Hintere Aussenseite hoch        | DC-3 400 x 1979 mm    |
| 17                  | 215890-10                      | Yttersida bak hög       | Rear outside, high      | Hintere Aussenseite hoch        | DC-4 400 x 2294 mm    |
| 18                  | 215713-02                      | Sidoplåt vänster botten | Side plate left bottom  | Seitenblech Link Boden          | 116 x 1070 mm         |
| 19                  | 319083-01                      | Kvalmkanal låg          | Damper channel, low     | Schwadenabzugkanal,<br>beliebig | L=358 mm              |
| 20                  | 319083-02                      | Kvalmkanal hög          | Damper channel, high    | Schwadenabzugkanal,<br>hoch     | L=418 mm              |
| 21                  | 417424-01                      | Distansbygel            | Distance bumper         | Bügelgriff                      |                       |
| 22                  | 113124-01                      | Ytterplåt botten        | Outerplate, bottom      | Aussenplatte, Boden             | DC-1 1069 x 1073 mm   |
| 22                  | 113124-02                      | Ytterplåt botten        | Outerplate, bottom      | Aussenplatte, Boden             | DC-2 1069 x 1388 mm   |
| 22                  | 113124-03                      | Ytterplåt botten        | Outerplate, bottom      | Aussenplatte, Boden             | DC-2E 1069 x 1703 mm  |
| 22                  | 113124-04                      | Ytterplåt botten        | Outerplate, bottom      | Aussenplatte, Boden             | DC-3 1069 x 2018 mm   |
| 22                  | 113124-05                      | Ytterplåt botten        | Outerplate, bottom      | Aussenplatte, Boden             | DC-4 1069 x 2333 mm   |
| 23                  | 215785-80                      | Bottensektion           | Bottom section          | Bodensektion                    | DC-1 1070 x 1075 mm   |
| 23                  | 215785-81                      | Bottensektion           | Bottom section          | Bodensektion                    | DC-2 1070 x 1390 mm   |
| 23                  | 215785-82                      | Bottensektion           | Bottom section          | Bodensektion                    | DC-2E 1070 x 1705 mm  |
| 23                  | 215785-83                      | Bottensektion           | Bottom section          | Bodensektion                    | DC-3 1070 x 2020 mm   |
| 23                  | 215785-84                      | Bottensektion           | Bottom section          | Bodensektion                    | DC-4 1070 x 2335 mm   |
| 24                  | 215713-01                      | Sidoplåt höger botten   | Side plate right bottom | Seitenblech Recht Boden         | 116 x 1123 mm         |
| 25                  | 215714-01                      | Frontplåt botten        | Front plate bottom      | Türverkleidung Boden            | DC-1 116 x 1078 mm    |
| 25                  | 215714-02                      | Frontplåt botten        | Front plate bottom      | Türverkleidung Boden            | DC-2 116 x 1393 mm    |
| 25                  | 215714-03                      | Frontplåt botten        | Front plate bottom      | Türverkleidung Boden            | DC-2E 116 x 1708 mm   |
| 25                  | 215714-04                      | Frontplåt botten        | Front plate bottom      | Türverkleidung Boden            | DC-3 116 x 2023 mm    |
| 25                  | 215714-05                      | Frontplåt botten        | Front plate bottom      | Türverkleidung Boden            | DC-4 116 x 2338 mm    |
| 26                  | 417137-01                      | Lock standard           | Lid standard            | Deckel standard                 | 1 x 174 x 267 mm      |
| 27                  | 417136-01                      | Lock ånga               | Lid steam               | Deckel dampf                    | 1 x 174 x 210 mm      |
| 28                  | 417738-01                      | Lock ånga extern        | Lid steam external      | Deckel dampf Externem           | 1 x 174 x 267 mm      |
| 29                  | 216244-80                      | Evakueringskanal        | Exhaustion tube         | Verbindungsrohr                 | DC-1                  |
| 29                  | 216245-80                      | Evakueringskanal        | Exhaustion tube         | Verbindungsrohr                 | DC-2                  |
| 29                  | 216246-80                      | Evakueringskanal        | Exhaustion tube         | Verbindungsrohr                 | DC-2E                 |
| 29                  | 216247-80                      | Evakueringskanal        | Exhaustion tube         | Verbindungsrohr                 | DC-3                  |
| 29                  | 216248-80                      | Evakueringskanal        | Exhaustion tube         | Verbindungsrohr                 | DC-4                  |

