

FERMATIC

Jäsrum Prover Gärraum



Reservdelista
Spare Parts List
Ersatzteilliste

Förutom denna RESERVDLSLISTA finns följande teknisk dokumentation:
DRIFT- SKÖTSEL- och INSTALLATIONSANVISNING 5:3515
ELKOPPLINGSSHEMA (medföljer jäsrummet)

Vid förfrågan eller fel - kontakta installatören eller agenten i första hand eller

SVEBA-DAHLEN AB
513 82 FRISTAD
Tel. 033 266790
Fax 033 266776

Tillverkaren förbehåller sig rätten till mått- och konstruktionsändringar

The following technical documentation is available in addition to these
OPERATING, MAINTENANCE AND INSTALLATION MANUAL 5:3515
WIRING DIAGRAM (supplied with the prover)

Please direct all your questions, comments or technical problems regarding this
product to the SVEBA-DAHLEN dealer or directly to

SVEBA-DAHLEN AB
S-513 82 Fristad
Sweden
Tel. +46 33 26 67 90
Fax +46 33 26 67 76

Subject to changes without notice

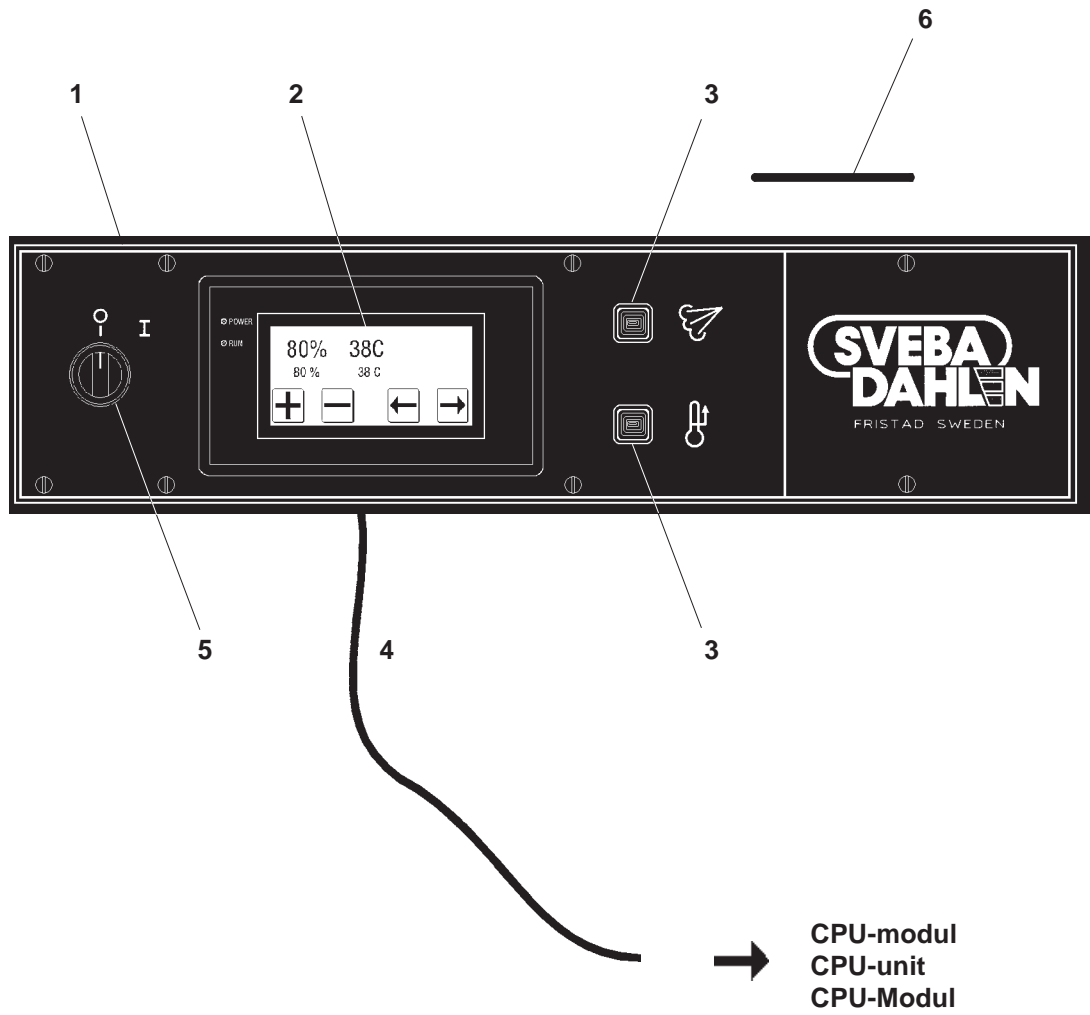
Außer dieser Betriebs- Wartung- und Installationsanleitung gibt es die folgenden
technischen Beschreibungen:
BETRIEB, WARTUNG, INSTALLATION 5:3515
ELEKTR. SCHALTPLAN (dem Gärraum beigelegt)

Bei Fragen oder Störungen wenden Sie sich bitte zuerst an Ihren Installateur oder
Fachhändler oder an

SVEBA-DAHLEN AB
S-513 82 FRISTAD,
Schweden
Tel.-Nr.: + 46 33 26 67 90
Fax-Nr.: + 46 33 26 67 76

Der Hersteller behält sich das Recht auf Maß- und Konstruktionsänderungen vor.

| | | | |
|--------------------------|-------------------------|-------------------------|-------|
| Innehåll | Table of contents | Inhalt | 3 |
| Instrumentpanel | Instrument panel | Instrumententafel | 4-5 |
| El. koppl. låda | Electrical box | El. Schaltkasten | 6-7 |
| Ånga | Steam | Dampf | 8-13 |
| Dörr | Door | Tür | 14-17 |
| Invendiga detaljer | Interior parts | Inwendige Teile | 18-19 |
| Monteringssats | Mounting set | Montage satz | 20-21 |



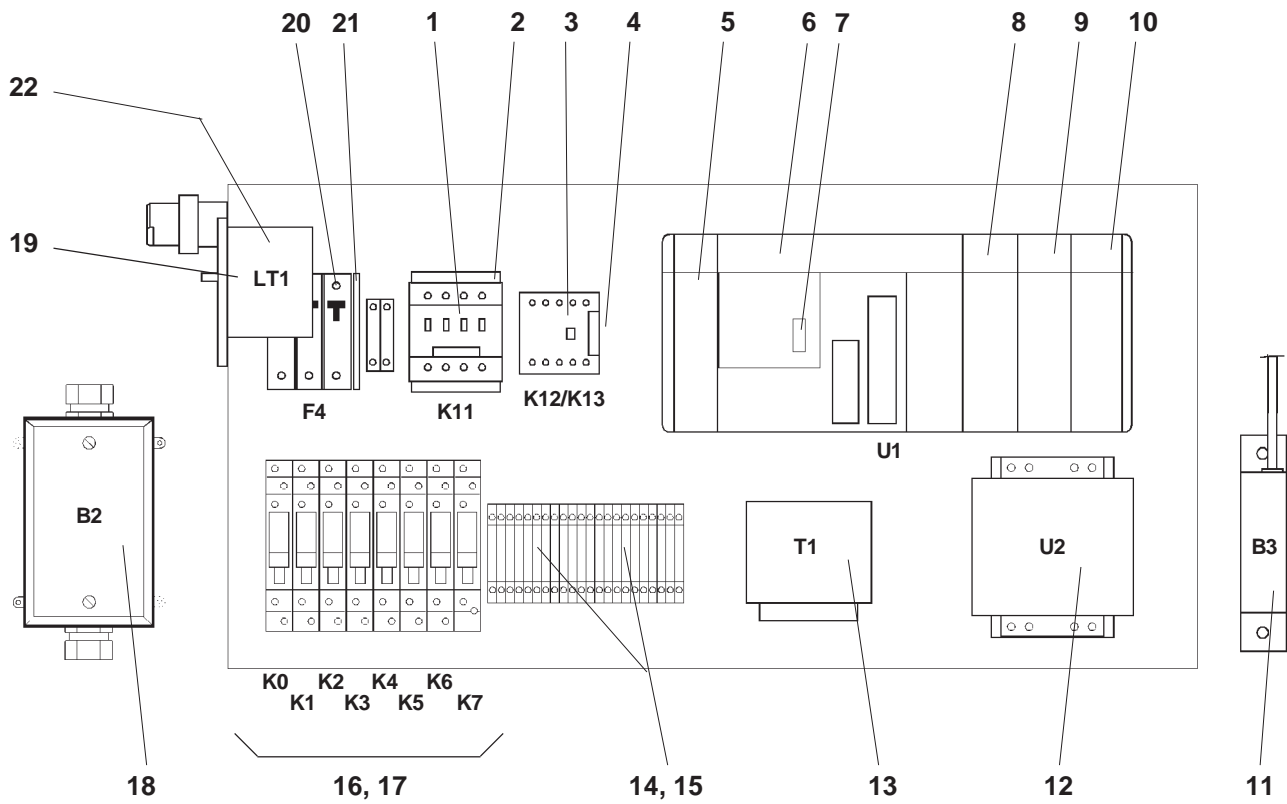
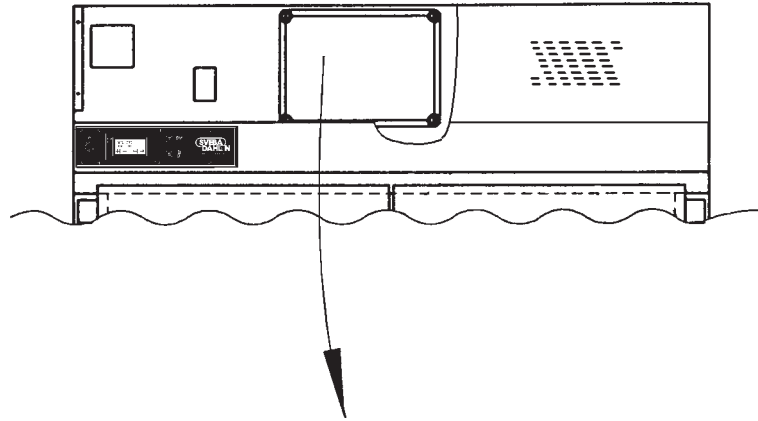


Instrumentpanel

Instrument panel

Instrumenttafel

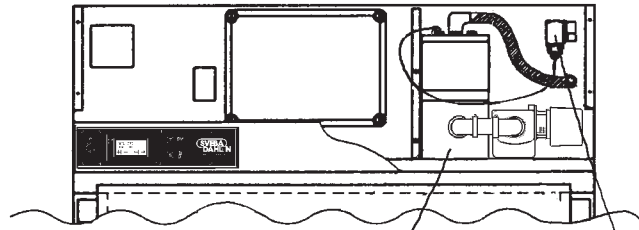
| Pos Fig. Teil | Best.nr Order No Best.Nr | Benämning | Description | Benennung | Anm. Notes Ann. |
|---------------------|--------------------------------|-----------------|-----------------------|------------------|-----------------------|
| 1 | 217026-01 | Instrumentpanel | Instrument panel | Instrumenttafel | |
| 2 | 60532-800 | Operatörspanel | Programmable terminal | Instrumenttafel | |
| 3 | 60506-800 | Signallampa gul | Pilot lamp yellow | Signallampe gelb | |
| 4 | 60532-801 | Kabel | Cable | Kabel | |
| 5 | 317026-10 | Strömställare | Switch | Schalter | 0-1 |
| 6 | 60580-800 | Handtag | Handle | Handgriff | |



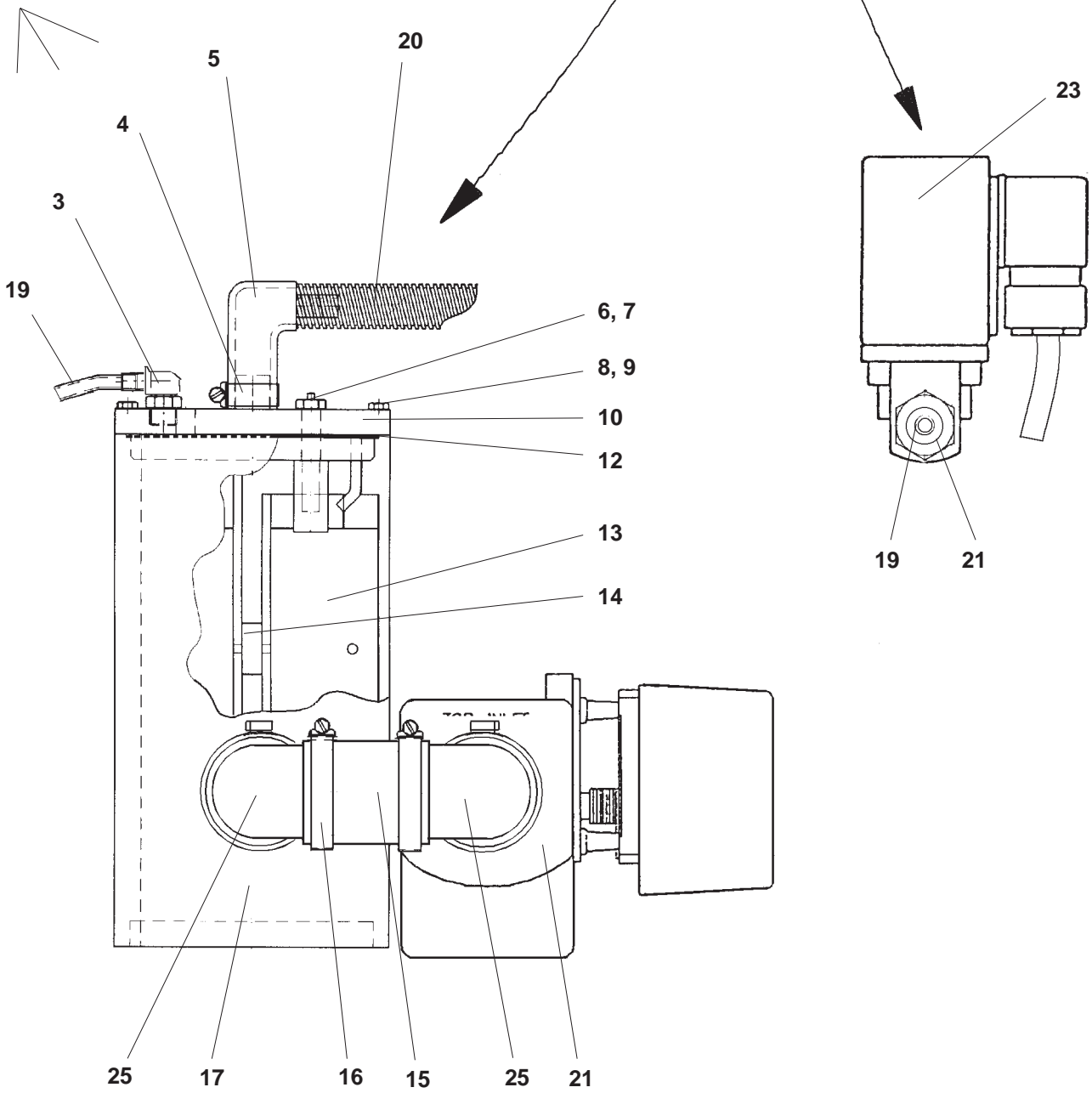
5-0004.CDR - 5-0030.TIF


| Pos Fig. Teil | Best.nr Order No Best.Nr | Benämning | Description | Benennung | | Anm. Notes Anm. |
|---------------------|--------------------------------|----------------------|-----------------------|------------------------|-------|-----------------------|
| | | Jäsrum 3x220V | Prover 3x220V | Gärrium 3x220V | | |
| 1 | 60607-800 | Kontaktor 24V | Contactora 24V | Schüts 24V | K11 | HiK 3kW |
| 1 | 60607-801 | Kontaktor 24V | Contactora 24V | Schüts 24V | K11 | HiK 6kW, 9kW |
| 1 | 60607-802 | Kontaktor 24V | Contactora 24V | Schüts 24V | K11 | HiK 12kW |
| 2 | 60381-810 | Varistor | Varistor | Varistor | | |
| 3 | 60606-800 | Kontaktor 24V | Contactora 24V | Schüts 24V | K12 | |
| 4 | 60608-802 | Varistor | Varistor | Varistor | | |
| 5 | 60532-802 | Nätadel | Power supply unit | Netzteil | U1 | |
| 6 | 60532-803 | CPU-modul | CPU-unit | CPU-Modul | U1 | |
| 7 | 60532-807 | Eprom | Memory cassette | Speicherkassette | U1 | |
| 8 | 60532-804 | Utgångsmodul PNP | Output unit PNP | Ausgangsmodul PNP | U1 | |
| 9 | 60532-805 | Analog-in-modul | Analog-in-unit | Analog-in-Modul | U1 | |
| 10 | 60532-806 | Nätadel | Power supply unit | Netzteil | U1 | |
| 11 | 60534-800 | Strömtransformator | Transformer | Strom Transformator | B3 | |
| 12 | 60532-808 | Nättaggregat | Power supply unit | Netzgerät | U2 | |
| 13 | 60605-800 | Transformator | Transformer | Transformator | T1 | |
| 14 | 60604-801 | Glasrörsäkring 10A | Glass tube fuse 10A | Glasrohrsicherung 10A | F1 | |
| 15 | 60604-800 | Glasrörsäkring 6,3A | Glass tube fuse 6,3A | Glasrohrsicherung 6,3A | F2 | |
| 16 | 60532-809 | Sockel | Holder | Sockel | K0-K7 | |
| 17 | 60532-810 | Relä | Relay | Relais | K0-K7 | |
| 18 | 60539-800 | Fukt och temp.givare | Humid.and temp.sensor | Feucht und Temp. Geber | B2 | |
| 19 | 60537-800 | Fästadapter | Fastening | Befästigung | LT1 | |
| 20 | 60232-811 | Automatsäkring 16A | Circuit breaker 16A | Automatsicherung 16A | F4 | HiK 3kW |
| 20 | 60232-823 | Automatsäkring 32A | Circuit breaker 32A | Automatsicherung 32A | F4 | HiK 6kW, 9kW |
| 20 | 60232-827 | Automatsäkring 40A | Circuit breaker 40A | Automatsicherung 40A | F4 | HiK 12kW |
| 21 | 60232-891 | Shuntutlösare | Trip unit | Arbeitsstrom Auslöser | F4 | |
| 22 | 60603-800 | Överhettningsskydd | Overheat protection | Überheizte schutz | LT1 | 0...200°C |
| | | Jäsrum 3x380V | Prover 3x380V | Gärrium 3x380V | | |
| 1 | 60606-800 | Kontaktor 24V | Contactora 24V | Schüts 24V | K11 | HiK 3kW |
| 1 | 60607-800 | Kontaktor 24V | Contactora 24V | Schüts 24V | K11 | HiK 6 kW, 9kW |
| 1 | 60607-801 | Kontaktor 24V | Contactora 24V | Schüts 24V | K11 | HiK 12kW |
| 2 | 60608-802 | Varistor | Varistor | Varistor | | HiK 3kW |
| 2 | 60381-810 | Varistor | Varistor | Varistor | | HiK 6kW, 9kW, 12kW |
| 3 | 60606-800 | Kontaktor 24V | Contactora 24V | Schüts 24V | K12 | |
| 4 | 60608-802 | Varistor | Varistor | Varistor | | |
| 5 | 60532-802 | Nätadel | Power supply unit | Netzteil | U1 | |
| 6 | 60532-803 | CPU-modul | CPU-unit | CPU-Modul | U1 | |
| 7 | 60532-807 | Eprom | Memory cassette | Speicherkassette | U1 | |
| 8 | 60532-804 | Utgångsmodul PNP | Output unit PNP | Ausgangsmodul PNP | U1 | |
| 9 | 60532-805 | Analog-in-modul | Analog-in-unit | Analog-in-Modul | U1 | |
| 10 | 60532-806 | Nätadel | Power supply unit | Netzteil | U1 | |
| 11 | 60534-800 | Strömtransformator | Transformer | Strom Transformator | B3 | |
| 12 | 60532-808 | Nättaggregat | Power supply unit | Netzgerät | U2 | |
| 13 | 60605-800 | Transformator | Transformer | Transformator | T1 | |
| 14 | 60604-801 | Glasrörsäkring 10A | Glass tube fuse 10A | Glasrohrsicherung 10A | F1 | |
| 15 | 60604-800 | Glasrörsäkring 6,3A | Glass tube fuse 6,3A | Glasrohrsicherung 6,3A | F2 | |
| 16 | 60532-809 | Sockel | Holder | Sockel | K0-K7 | |
| 17 | 60532-810 | Relä | Relay | Relais | K0-K7 | |
| 18 | 60539-800 | Fukt och temp.givare | Humid.and temp.sensor | Feucht und Temp. Geber | B2 | |
| 19 | 60537-800 | Fästadapter | Fastening | Befästigung | LT1 | |
| 20 | 60232-811 | Automatsäkring 16A | Circuit breaker 16A | Automatsicherung 16A | F4 | HiK 3kW, 6kW, 9kW |
| 20 | 60232-819 | Automatsäkring 25A | Circuit breaker 25A | Automatsicherung 25A | F4 | HiK 12kW |
| 21 | 60232-891 | Shuntutlösare | Trip unit | Arbeitsstrom Auslöser | F4 | |
| 22 | 60603-800 | Överhettningsskydd | Overheat protection | Überheizte schutz | LT1 | 0...200°C |

Modell Model Modell
98x100, 98x120, 98x150, 98x200



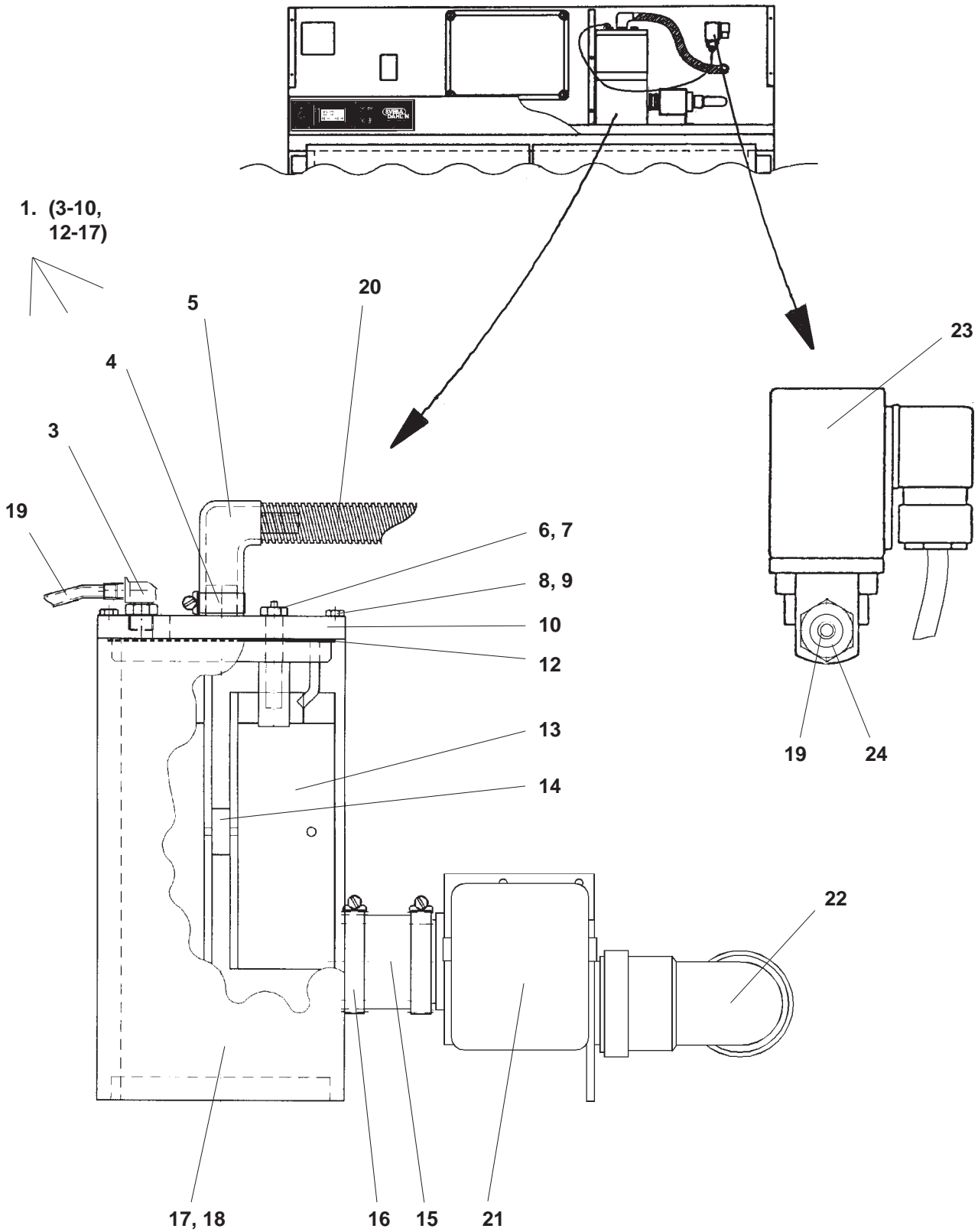
1. (3-10,
12-17)




| | | | | |
|--|------|-------|-------|--|
|  | Ånga | Steam | Dampf | |
| | | | | |

| Pos Fig. Teil | Best.nr Order No Best.Nr | Benämning | Description | Benennung | Ant. Qty Anz. | Anm. Notes Anm. |
|---------------------|--------------------------------|--------------------|-----------------------|----------------------|---------------------|-----------------------|
| 1 | 60574-800 | Ångkokare komplett | Steam cooker complete | Dampfkocher komplett | 1 | |
| 3 | 60567-800 | Vinkelförskruvning | Angle nipple | Winkel Nippel | 1 | |
| 4 | 60181-806 | Slangklämma | Hose clip | Schlauchklemme | 1 | |
| 5 | 60517-800 | Gummikrök | Rubber bend | Gummiwinkel | 1 | |
| 6 | 60569-800 | Bult M10 spec. | Bolt M10 spec. | Bolzen M10 spez. | 3 | |
| 7 | 60570-800 | Bricka RFR | Washer | Scheibe | 3 | |
| 8 | 60552-800 | Fransk träskruv | French screw | Holzschraube | 8 | |
| 9 | 60570-801 | Bricka RFR | Washer | Scheibe | 8 | |
| 10 | 216403-80 | Lock | Lid | Deckel | 1 | |
| 12 | 60568-800 | O-Ring | O-ring | O-ring | 1 | |
| 13 | 60550-800 | Elektrod | Electrode | Elektrode | 3 | |
| 14 | 60551-800 | Distans | Distance | Distanzplatte | 3 | |
| 15 | 60519-801 | Slang | Hose | Schlauch | 1 | |
| 16 | 60181-811 | Slangklämma | Hose clip | Schlauchklemme | 4 | |
| 17 | 216404-80 | Bytta | Container | Behälter | 1 | |
| 19 | 65211-800 | Slang | Hose | Schlauch | 1 | |
| 20 | 65210-800 | Ångslang | Steam hose | Dampfschlauch | 1 | |
| 21 | 60555-800 | Tömningsventil | Draining valve | Entleerungsventil | 1 | |
| 23 | 60270-802 | Magnetventil | Solenoid valve | Soleniod ventil | 1 | |
| 24 | 60554-800 | Nippel | Nipple | Nippel | 1 | |
| 25 | 60573-800 | Rörböj | Angle bend | Rohrwinkel | 2 | |

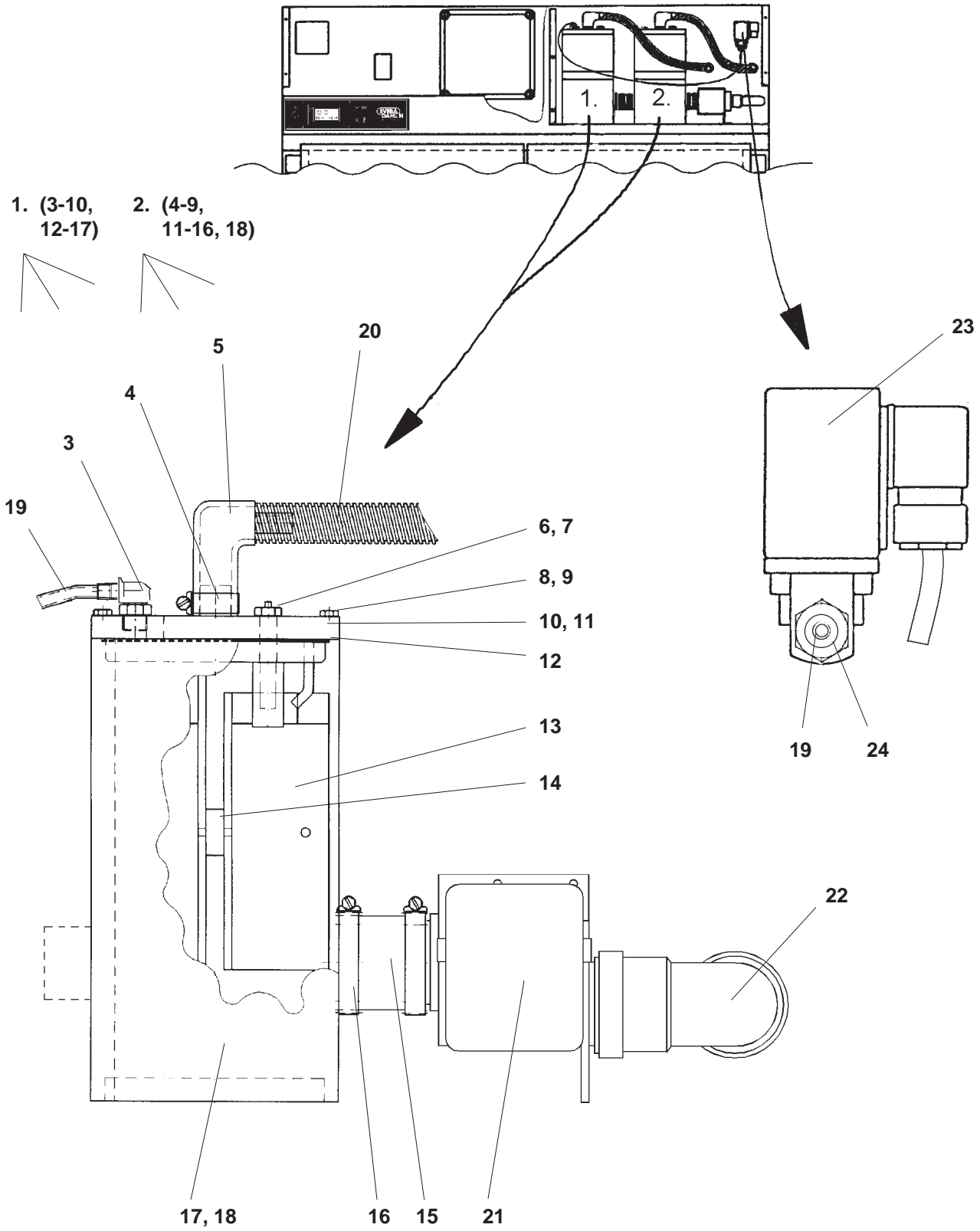
Modell Model Modell
150x100, 150x120, 150x150, 180x200, 180x210, 210x100, 210x150




| | | | | |
|---|------|-------|-------|--|
|  | Ånga | Steam | Dampf | |
|---|------|-------|-------|--|

| Pos Fig. Teil | Best.nr Order No Best.Nr | Benämning | Description | Benennung | Ant. Qty Anz. | Anm. Notes Ann. |
|---------------------|--------------------------------|--------------------|-----------------------|----------------------|---------------------|-----------------------|
| 1 | 60574-800 | Ångkokare kompl. | Steam cooker complete | Dampfkocher komplett | 1 | |
| 3 | 60567-800 | Vinkelförskruvning | Angle nipple | Winkel Nippel | 1 | |
| 4 | 60181-806 | Slangklämma | Hose clip | Schlauchklemme | 1 | |
| 5 | 60517-800 | Gummikrök | Rubber bend | Gummiwinkel | 1 | |
| 6 | 60569-800 | Bult M10 spec. | Bolt M10 spec. | Bolzen M10 spez. | 3 | |
| 7 | 60570-800 | Bricka RFR | Washer | Scheibe | 3 | |
| 8 | 60552-800 | Fransk träskruv | French screw | Holzschraube | 8 | |
| 9 | 60570-801 | Bricka RFR | Washer | Scheibe | 8 | |
| 10 | 216403-80 | Lock | Lid | Deckel | 1 | |
| 12 | 60568-800 | O-Ring | O-ring | O-ring | 1 | |
| 13 | 60550-800 | Elektrod | Electrode | Elektrode | 3 | |
| 14 | 60551-800 | Distans | Distance | Distanzplatte | 3 | |
| 15 | 60519-801 | Slang | Hose | Schlauch | 1 | |
| 16 | 60181-811 | Slangklämma | Hose clip | Schlauchklemme | 2 | |
| 17 | 216404-80 | Bytta | Container | Behälter | 1 | |
| 19 | 65211-800 | Slang | Hose | Schlauch | 1 | |
| 20 | 65210-800 | Ångslang | Steam hose | Dampfschlauch | 1 | |
| 21 | 60555-800 | Tömningsventil | Draining valve | Entleerungsventil | 1 | |
| 22 | 60571-800 | Rörböj | | Rohrwinkel | 1 | |
| 23 | 60270-802 | Magnetventil | Solenoid valve | Soleniod ventil | 1 | |
| 24 | 60554-800 | Nippel | Nipple | Nippel | 1 | |

Modell Model Modell
180x285, 210x240

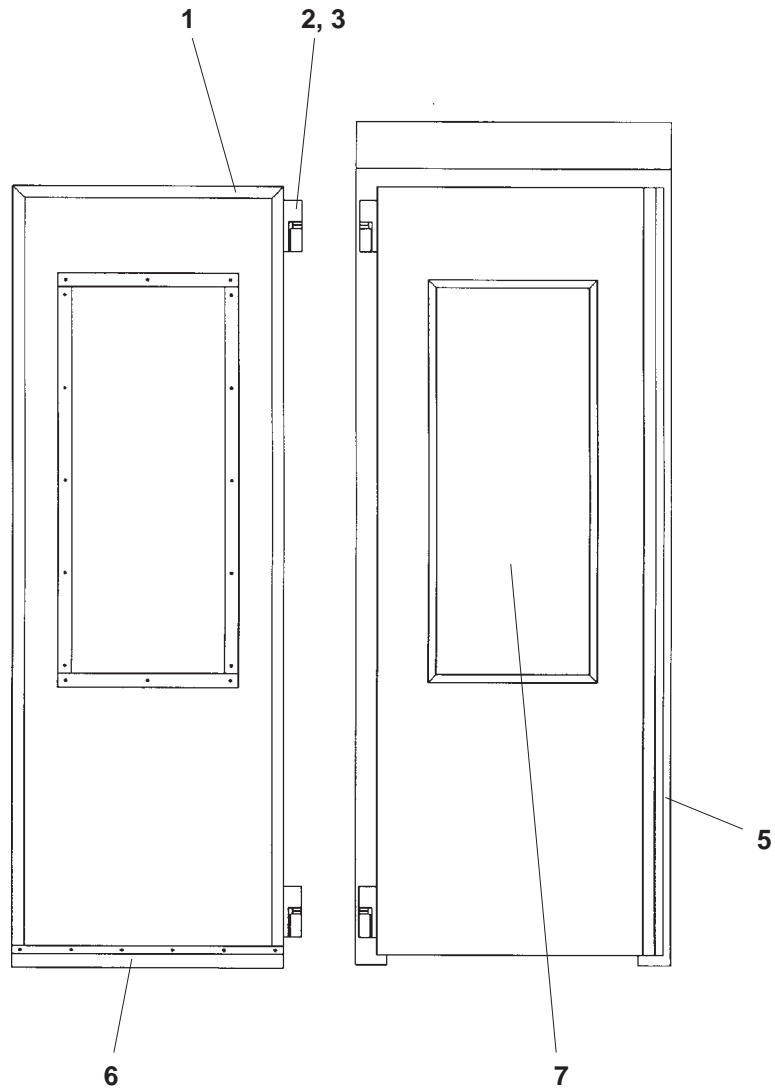


| | | | | |
|--|------|-------|-------|--|
|  | Ånga | Steam | Dampf | |
| | | | | |

| Pos Fig. Teil | Best.nr Order No Best.Nr | Benämning | Description | Benennung | Ant. Qty Anz. | Anm. Notes Anm. |
|---------------------|--------------------------------|---------------------|-------------------------|-----------------------|---------------------|-----------------------|
| 1 | 60574-800 | Ångkokare kpl. typ1 | Steam cooker cpl. type2 | Dampfkocher kpl. typ1 | 1 | |
| 2 | 60574-801 | Ångkokare kpl. typ2 | Steam cooker cpl. type2 | Dampfkocher kpl. typ2 | 1* | |
| 3 | 60567-800 | Vinkelförskrivning | Angle nipple | Nippel | 1 | |
| 4 | 60181-806 | Slangklämma | Hose clip | Schlauchklemme | 1 | |
| 5 | 60517-800 | Gummikrök | Rubber bend | Gummiwinkel | 1 | |
| 6 | 60569-800 | Bult M10 spec. | Bolt M10 spec. | Bolzen M10 spez. | 3 | |
| 7 | 60570-800 | Bricka RFR | Washer | Scheibe | 3 | |
| 8 | 60552-800 | Fransk träskruv | French screw | Holzschraube | 8 | |
| 9 | 60570-801 | Bricka RFR | Washer | Scheibe | 8 | |
| 10 | 216403-80 | Lock | Lid | Deckel | 1 | |
| 11 | 216403-81 | Lock utan hål M16 | Lid without M16 hole | Deckel ohne M16 Loch | 1* | |
| 12 | 60568-800 | O-Ring | O-ring | O-ring | 1 | |
| 13 | 60550-800 | Elektrod | Electrode | Elektrode | 3 | |
| 14 | 60551-800 | Distans | Distance | Distanzplatte | 3 | |
| 15 | 60519-801 | Slang | Hose | Schlauch | 1 | |
| 16 | 60181-811 | Slangklämma | Hose clip | Schlauchklemme | 2 | |
| 17 | 216404-80 | Bytta | Container | Behälter | 1 | |
| 18 | 216404-81 | Bytta typ2 | Container type2 | Behälter typ2 | 1* | |
| 19 | 65211-800 | Slang | Hose | Schlauch | 1 | |
| 20 | 65210-800 | Ångslang | Steam hose | Dampfschlauch | 1 | |
| 21 | 60555-800 | Tömningsventil | Draining valve | Entleerungsventil | 1 | |
| 22 | 60571-800 | Rörböj | Tube bend | Rohrwinkel | 1 | |
| 23 | 60270-802 | Magnetventil | Solenoid valve | Soleniod ventil | 1 | |
| 24 | 60554-800 | Nippel | Nipple | Nippel | 1 | |

*) 1 / typ 2

Modell Model Modell
98x100, 98x120, 98x150, 98x200





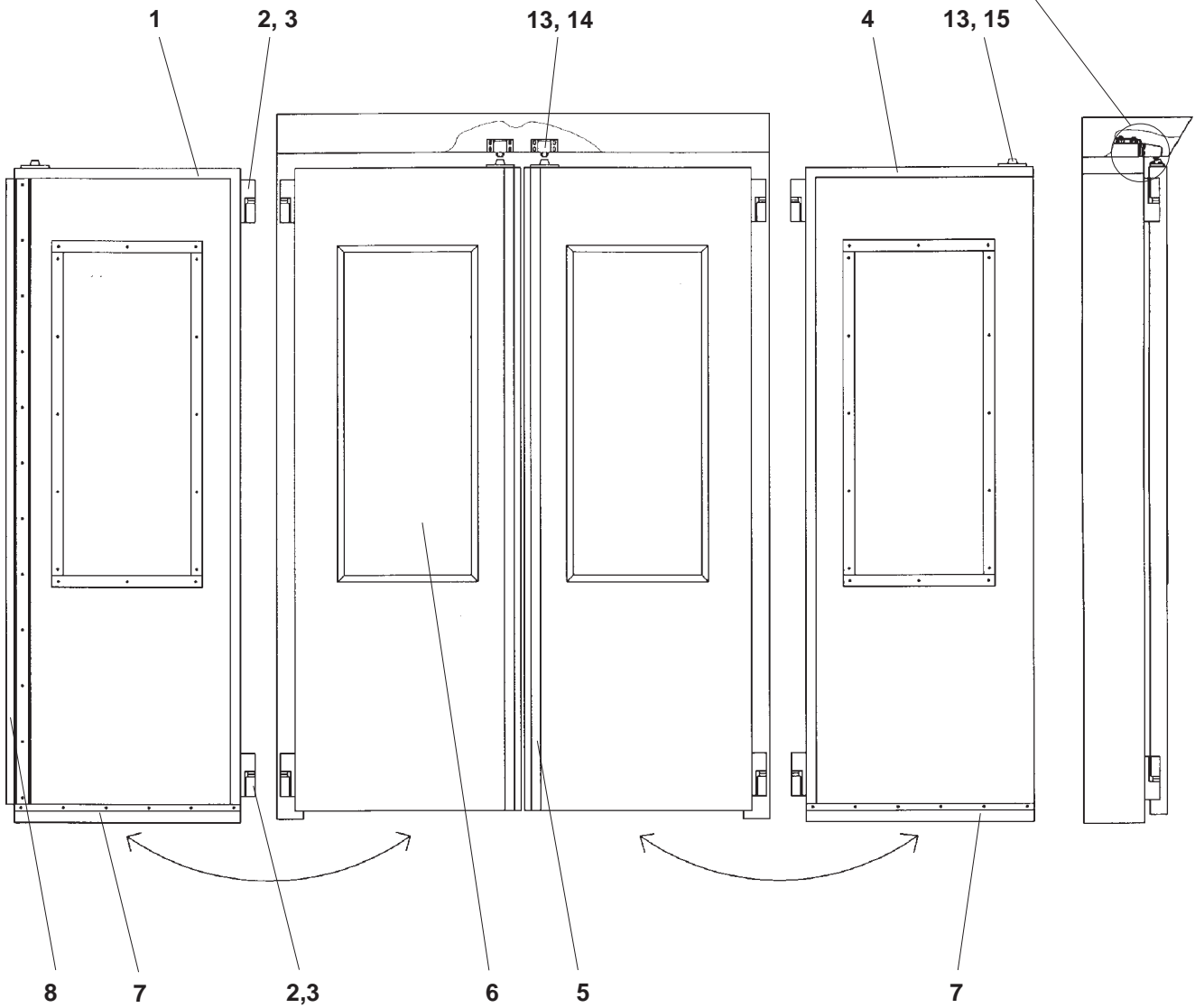
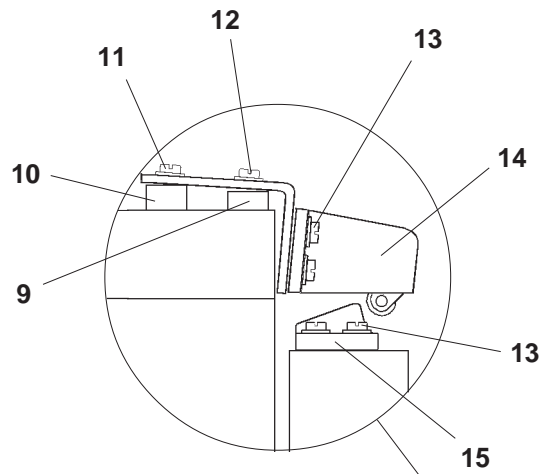
Dörr

Door

Tür

| Pos Fig. Teil | Best.nr Order No Best.Nr | Benämning | Description | Benennung | Ant. Qty Anz. | Anm. Notes Ann. |
|---------------------|--------------------------------|-------------------|-----------------|----------------|---------------------|-----------------------|
| 1 | 60576-800 | Dörrpackning | Door gasket | Tür - Dichtung | 1 | "98" |
| 2 | 60577-800 | Gångjärn komplett | Hinge complete | Scharnier | 2 | |
| 3 | 60032-366 | Skruv M6x12 | Screw M6x12 | Schraube M6x12 | 12 | |
| 5 | 60610-800 | Dörrhandtag | Door handle | Türgriff | 1 | |
| 6 | 60575-800 | Gummilist | Rubber strip | Gummifassung | 1 | |
| 7 | 60578-800 | Isolerglas | Insulated glass | Isolierglas | 1 | |

Modell Model Modell
150x100, 150x120, 150x150, 180x120, 180x210, 180x285,
210x100, 210x150, 210x240



| | | | | |
|---|------|------|-----|--|
|  | Dörr | Door | Tür | |
|---|------|------|-----|--|

| Pos Fig. Teil | Best.nr Order No Best.Nr | Benämning | Description | Benennung | Ant. Qty Anz. | Anm. Notes Anm. |
|---------------------|--------------------------------|-------------------|-------------------|----------------------|---------------------|-----------------------|
| 1 | 60576-801 | Dörrpackning vä. | Door gasket left | Tür - Dichtung links | 1 | "150" |
| 1 | 60576-803 | Dörrpackning vä. | Door gasket left | Tür - Dichtung links | 1 | "180" |
| 1 | 60576-805 | Dörrpackning vä. | Door gasket left | Tür - Dichtung links | 1 | "210" |
| 2 | 60577-800 | Gångjärn komplett | Hinge complete | Scharnier komplett | 2 | |
| 3 | 60032-366 | Skruv M6x12 | Screw M6x12 | Schraube M6x12 | 12 | |
| 4 | 60576-802 | Dörrpackning hö. | Door gasket right | Tür - Dichtung recht | 1 | "150" |
| 4 | 60576-804 | Dörrpackning hö. | Door gasket right | Tür - Dichtung recht | 1 | "180" |
| 4 | 60576-806 | Dörrpackning hö. | Door gasket right | Tür - Dichtung recht | 1 | "210" |
| 5 | 60610-800 | Dörrhandtag | Door handle | Türgriff | 1 | |
| 6 | 60578-800 | Isolerglas | Insulated glass | Isolierglas | 1 | |
| 7 | 60575-800 | Gummilist | Rubber strip | Gummifassung | 1 | |
| 8 | 60575-801 | Gummilist | Rubber strip | Gummifassung | 1 | |
| 9 | 60583-801 | Distans | Distance | Distanzplatte | 3* | h=9 |
| 10 | 60583-800 | Distans | Distance | Distanzplatte | 2* | h=12 |
| 11 | 60030-374 | Skruv M6x30 | Screw M6x30 | Schraube M6x30 | 2* | |
| 12 | 60030-370 | Skruv M6x20 | Screw M6x20 | Schraube M6x20 | 3* | |
| 13 | 60030-366 | Skruv M6x12 | Screw M6x12 | Schraube M6x12 | 4 | |
| 14 | 60579-800 | Dörrstängare | Door closer | Türschloss | 1 | |
| 15 | 60579-801 | Låsklack | Lock hook | Schlosshaken | 1 | |

*) / Jäsrum
/ Prover
/ Gärraum



Invändiga detaljer

Interior parts

Inwendige Teile

| Pos Fig. Teil | Best.nr Order No Best.Nr | Benämning | Description | Benennung | Ant. Qty Anz. | Anm. Notes Ann. |
|---------------------|--------------------------------|-------------------------------|-------------------------------|---------------------------------|---------------------|-----------------------|
| 1 | 60581-800 | Belysningsarmatur komplett | Lighting fitting complete | Beleuchtung komplett | 1 | |
| 2 | 60581-801 | Kupa för belysningsarmatur | Shade for lighting fitting | Aussenglocke für Beleuchtung | 1 | |
| 3 | 60581-802 | Lysrör | Fluorescent tube | Leuchtröhre | 1 | 590mm 18W |
| 4 | 60584-800 | Fläkt | Fan | Ventilator | *) | |
| 5 | 60600-800 | Element | Heating element | Heizkörper | **) | 3000W 220V |
| 6 | 60600-801 | Element | Heating element | Heizkörper | **) | 3000W 400V |

| Modell | Antal Fläktar | Värme effekt |
|-----------|------------------|-----------------|
| 98 x 100 | 1 | 3,0 kW |
| 98 x 120 | 1 | 3,0 kW |
| 98 x 150 | 2 | 6,0 kW |
| 98 x 200 | 2 | 6,0 kW |
| 150 x 100 | 2 | 6,0 kW |
| 150 x 150 | 2 | 9,0 kW |
| 180 x 100 | 2 | 6,0 kW |
| 180 x 120 | 2 | 6,0 kW |
| 180 x 210 | 2 | 9,0 kW |
| 180 x 285 | 3 | 12,0 kW |
| 210 x 100 | 2 | 6,0 kW |
| 210 x 150 | 2 | 12,0 kW |
| 210 x 240 | 3 | 12,0 kW |

*) 1 / 98x100, 98x120

2 / 98x150, 98x200, 150x100, 150x150,
180x120, 180x210, 210x100, 210x150

3 / 180x285, 210x240

***) 1 / 98x100, 98x120

2 / 98x150, 98x200, 150x100, 150x150,
180x120, 210x100

3 / 180x210, 180x285, 210x240, 210x150

4 / 210x240

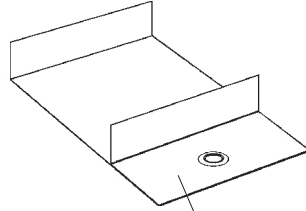
1



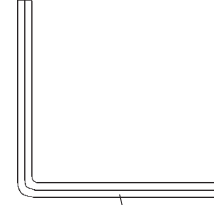
2



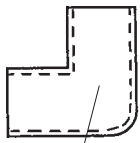
3



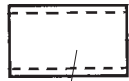
4



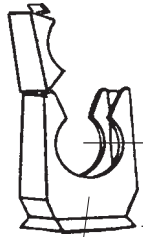
5



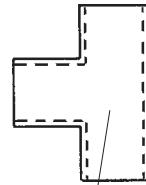
6



7



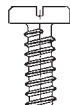
8



9



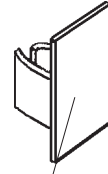
10



11



12



13



14



Monteringssats

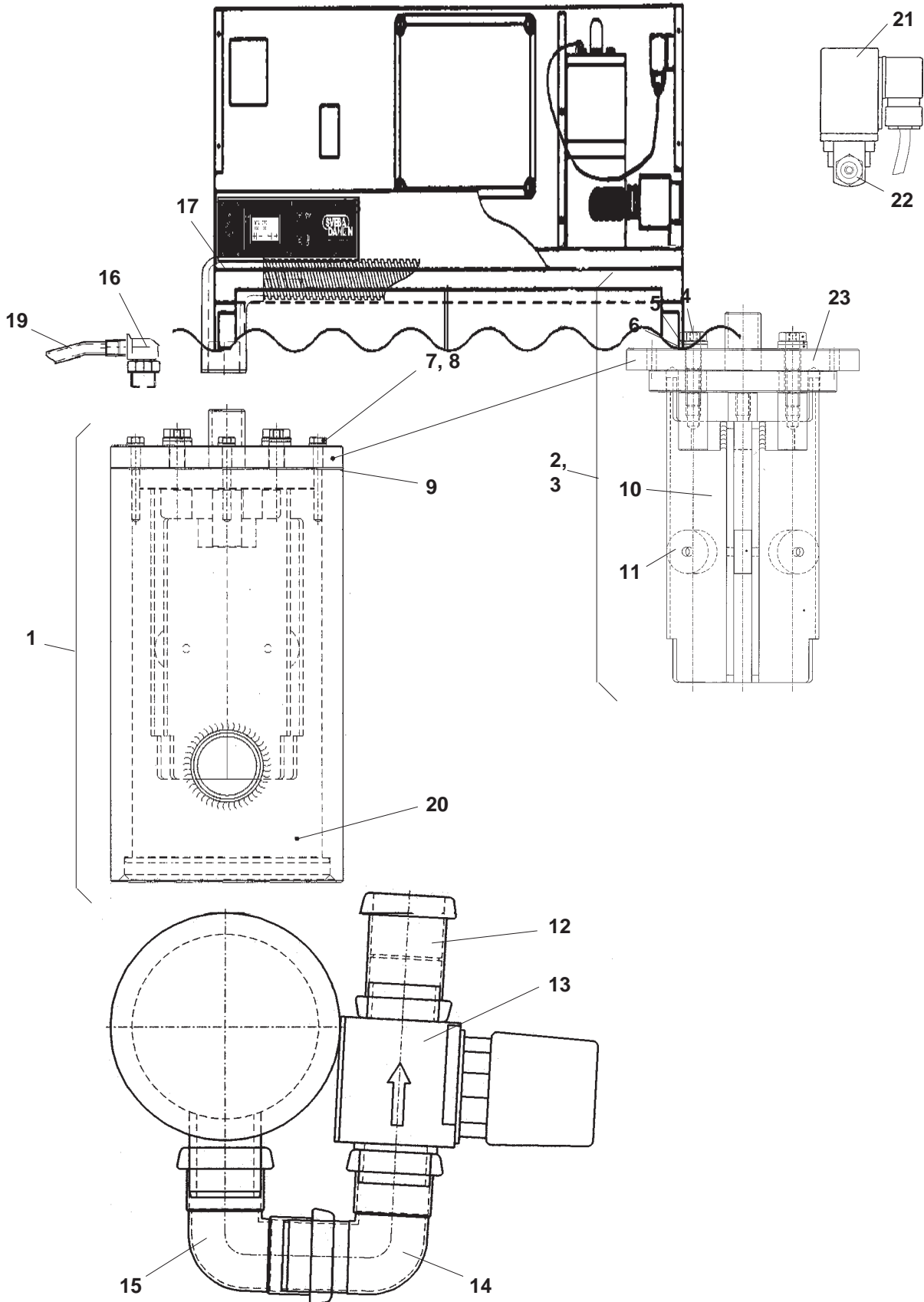
Mounting set

Montage satz

| Pos Fig. Teil | Best.nr Order No Best.Nr | Benämning | Description | Benennung | Ant. Qty Anz. | Anm. Notes Anm. |
|---------------------|--------------------------------|---------------------|----------------------|-----------------------|---------------------|-----------------------|
| 1 | 511040-80 | Monteringssats HiJ | Mounting set HiJ | Montage Satz HiJ | | "98" |
| 1 | 511040-81 | Monteringssats HiJ | Mounting set HiJ | Montage Satz HiJ | | "150", "180" |
| 1 | 511040-82 | Monteringssats HiJ | Mounting set HiJ | Montage Satz HiJ | | "210" |
| 2 | 65100-800 | Silikon | Silicone | Silikon | 1 | |
| 3 | 60585-800 | Täckplugg | Cover plug | Abdeckpropfen | 20 | |
| 4 | 60611-800 | Golvvinkel | Floor-angle | Bodenwinkel | 4 | |
| 5 | 60587-800 | Sexkantvinkel | Hexagon key | Sechskantschlüssel | 1 | 8mm |
| 6 | 60590-800 | Vinkel 90° | Angle 90° | Winkel 90° | 8 | 32mm PVC |
| 7 | 60589-800 | Rak muff | Coupling | Coupling | 4 | 32mm PVC |
| 8 | 60592-800 | Rörklämma | Tubeholder | Rohrhalter | 4 | 32mm PVC |
| 9 | 60591-800 | T-rör | T-tube | T-rohr | 1 | 32mm |
| 10 | 60586-344 | Skruv | Screw | Schraube | 10 | CSS B8 x 16 A2 |
| 11 | 60602-416 | Skruv | Screw | Schraube | 3 | RXS B10 x 25 A2 |
| 12 | 60593-800 | Plugg 8 x 40 | Plug 8 x 40 | Pfropf 8 x 40 | 3 | |
| 13 | 60577-801 | Täckbricka gångjärn | Covering plate hinge | Abdeckblech Scharnier | *) | |
| 14 | 420542-01 | Schimsplåt | | | 20 | 80 x 80mm |

*) 4 / "98"
8 / "150", "180"
12 / "210"

Modell Model Modell
 98x100, 98x120, 98x150, 98x200
 150x100, 150x120, 150x150, 180x200, 180x210, 210x100, 210x150



| | | | | |
|--|------|-------|-------|--|
|  | Ånga | Steam | Dampf | |
|--|------|-------|-------|--|

| Pos Fig. Teil | Best.nr Order No Best.Nr | Benämning | Description | Benennung | Ant. Qty Anz. | Anm. Notes Anm. |
|---------------------|--------------------------------|-------------------------|-------------------------|--------------------------|---------------------|-----------------------|
| 1 | 320494-80 | Ångkokare kpl. 1 hål | Steam cooker cpl | Dampfkocher kpl | | 12mm* |
| 1 | 320494-81 | Ångkokare kpl. 1 hål | Steam cooker cpl | Dampfkocher kpl | | 06mm** |
| 2 | 216619-80 | Lock med elektroder | Lid with electrode | Deckel mit Elektrode | | 12mm* |
| 2 | 216619-81 | Lock med elektroder | Lid with electrode | Deckel mit Elektrode | | 06mm** |
| 3 | 511044-80 | Montagesats lock | Mounting set, lid | Montage satz, Deckel | | *** |
| 4 | 420030-01 | Anslutningsbult | Connection bolt | Anschluss Bolzen | | M6S 10x45 RFR |
| 5 | 60570-800 | Bricka | Washer | Scheibe | | BRB 10,5x20x3 |
| 6 | 420032-01 | Bricka | Washer | Scheibe | | 10x20x3 |
| 7 | 60552-800 | Träskruv | Screw | Holzschraube | | 6x50 RFR |
| 8 | 60570-801 | Bricka | Washer | Scheibe | | BRB 6,4x12 A2 |
| 9 | 420046-01 | Packning | Gasket | Dichtung | | Ø160 x Ø129 x 1 |
| 10 | 420041-80 | Elektrod kompl. | Electrode cpl. | Elektrode kpl | | |
| 11 | 420028-02 | Distans 06mm | Distance 06mm | Distanzplatte 06mm | | |
| 11 | 420028-01 | Distans 12mm | Ditance 06mm | Distanzplatte 12mm | | |
| 12 | 60658-800 | Rak dubbelmuff | Straight coupling | Gerade Muffe | | Ø50 |
| 13 | 60555-800 | Motordriven tömn.ventil | Motor. Draining valve | Motor. Entleerungsventil | | |
| 14 | 60659-800 | Bøj med en muff | Bend with one coupling | Winkel mit ein Muffe | | Ø50/88,5 |
| 15 | 60660-800 | Bøj med två muff | Bend with two couplings | Winkel mit zwei Muffen | | Ø50/88,5 |
| 16 | 60567-800 | Vinkel-anlutning | Angle nipple | Winkel Nippel | | GCK-3/8 |
| 17 | 60517-800 | Gummikrök | Rubber bend | Gummiwinkel | | |
| 18 | 65210-800 | Ångslang | Steam hose | Dampfschlauch | | Ø19 |
| 19 | 65211-800 | Slang | Hose | Schlauch | | PAN-8 x 1,25 |
| 20 | 216621-80 | Behållare kpl. 1 hål | Container cpl 1 hole | Behälter kpl | | |
| 21 | 60270-802 | Magnetventil | Solenoid valve | Soleniod Ventil | | |
| 22 | 60554-800 | Rak anlutning | Straight connection | Gerade Anschluss | | CK-3/8-PK6KV |
| 23 | 320487-80 | Lock | Lid | Deckel | | 12mm* |
| 23 | 320487-81 | Lock | Lid | Deckel | | 06mm* |

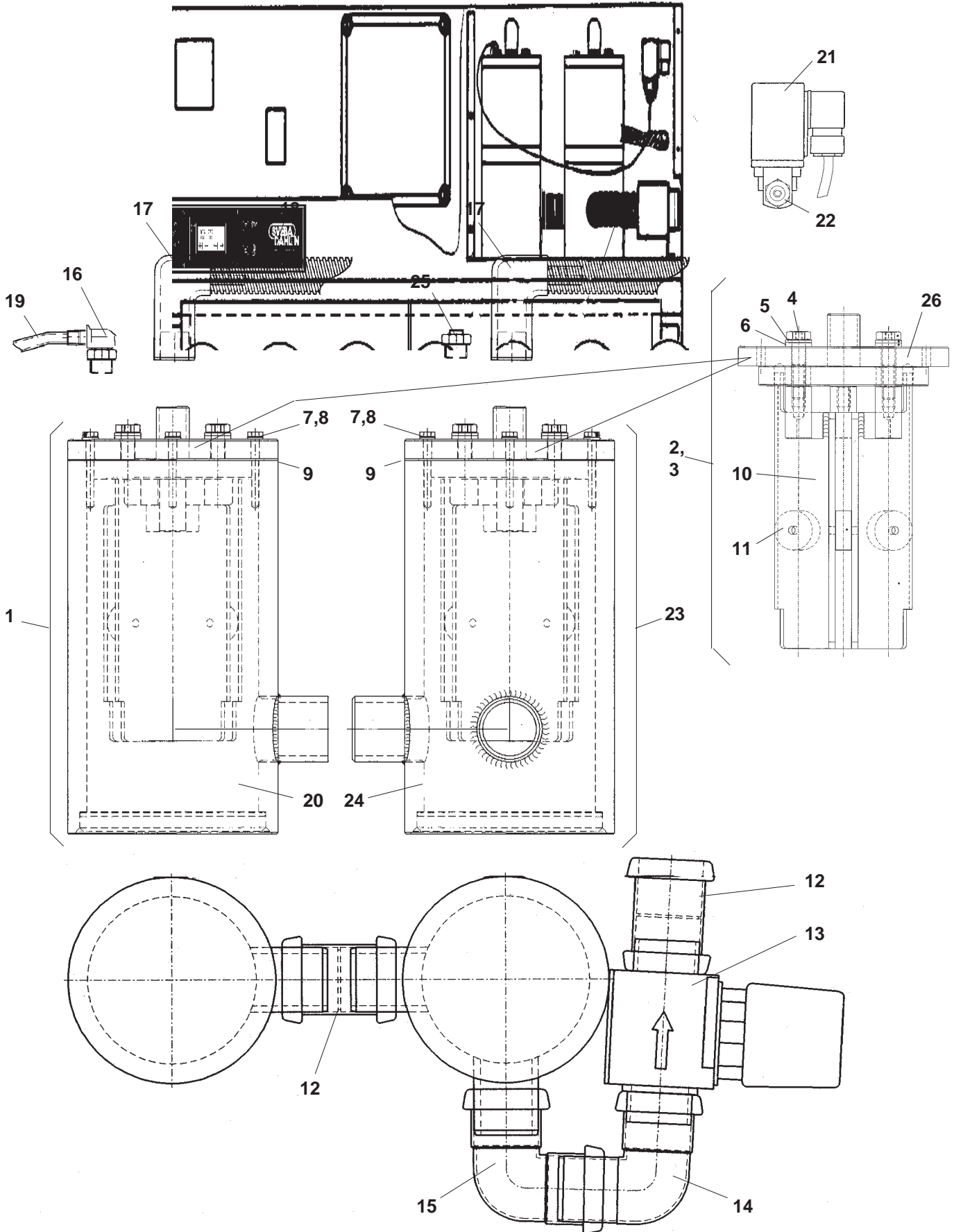
* Elektrodavstånd 12mm

** Elektrodavstånd 06mm

| *** 511044-80 | | | | | |
|---------------------|-----------|-----------------------------|---|---|--------------------|
| Ant. Qty Anz. | | Montagesats ångkokarlock | Mounting set Lid for steam cooker | Montage satz Deckel für Dampfkocher | |
| 3 | 60552-800 | Träskruv | Wood screw | Holzschraube | 6x50 rfr |
| 3 | 60570-801 | Bricka | Washer | Scheibe | BRB 6,4x12x1,6 rfr |
| 3 | 60017-329 | Skruv | Screw | Schraube | M6S 5x16 fzb |
| 3 | 60010-146 | Bricka | Washer | Scheibe | 5,3x15 rfr |
| 1 | 420046-01 | Packning | Gasket | Dichtung | Ø160 x Ø129 x 1 |

Modell Model Modell

150x100, 150x120, 150x150, 180x200, 180x210, 210x100, 210x150



| Pos Fig. Teil | Best.nr Order No Best.Nr | Benämning | Description | Benennung | Ant. Qty Anz. | Anm. Notes Anm. |
|---------------------|--------------------------------|--------------------------|----------------------------|----------------------------|---------------------|-----------------------|
| 1 | 320494-80 | Ångkokare kpl. 1 hål | Steam cooker cpl 1 hole | Dampfkocher kpl 1 loch | | 12mm* |
| 1 | 320494-81 | Ångkokare kpl. 1 hål | Steam cooker cpl 1 hole | Dampfkocher kpl 1 loch | | 06mm** |
| 2 | 216619-80 | Lock med elektroder | Lid with electrode | Deckel mit Elektrode | | 12mm* |
| 2 | 216619-81 | Lock med elektroder | Lid with electrode | Deckel mit Elektrode | | 06mm** |
| 3 | 511044-80 | Montagesats lock | Mounting set, lid | Montage satz, Deckel | | *** |
| 4 | 420030-01 | Anslutningsbult | Connection bolt | Anschluss Bolzen | | M6S 10x45 RFR |
| 5 | 60570-800 | Bricka | Washer | Scheibe | | BRB 10,5x20x3 |
| 6 | 420032-01 | Bricka | Washer | Scheibe | | 10x20x3 |
| 7 | 60552-800 | Träskruv | Screw | Holzschraube | | 6x50 RFR |
| 8 | 60570-801 | Bricka | Washer | Scheibe | | BRB 6,4x12x1,6 rfr |
| 9 | 420046-01 | Packning | Gasket | Dichtung | | Ø160 x Ø129 x 1 |
| 10 | 420041-80 | Elektrod kompl. | Electrode cpl. | Elektrode kpl | | |
| 11 | 420028-02 | Distans 06mm | Distance 06mm | Distanzplatte 06mm | | |
| 11 | 420028-01 | Distans 12mm | Ditance 06mm | Distanzplatte 12mm | | |
| 12 | 60658-800 | Rak dubbelmuff | Straight coupling | Gerade Muffe | | Ø50 |
| 13 | 60555-800 | Motordriven tömn.ventil | Motor. Draining valve | Motor. Entleerungsventil | | |
| 14 | 60659-800 | Böj med en muff | Bend with one coupling | Winkel mit ein Muffe | | Ø50/88,5 |
| 15 | 60660-800 | Böj med två muff | Bend with two couplings | Winkel mit zwei Muffen | | Ø50/88,5 |
| 16 | 60567-800 | Vinkel-anslutning | Angle nipple | Winkel Nippel | | GCK-3/8 |
| 17 | 60517-800 | Gummikrök | Rubber bend | Gummiwinkel | | |
| 18 | 65210-800 | Ångslang | Steam hose | Dampfschlauch | | Ø19 |
| 19 | 65211-800 | Slang | Hose | Schlauch | | PAN-8 x 1,25 |
| 20 | 216621-80 | Behållare kpl 1 hål | Container | Behälter | | |
| 21 | 60270-802 | Magnetventil | Solenoid valve | Soleniod ventil | | |
| 22 | 60554-800 | Rak anslutning | Straight connection | Gerade Anschluss | | CK-3/8-PK6KV |
| 23 | 320496-80 | Ångkokare kpl. 2 hål 90° | Steam cook. cpl 2 hole 90° | Dampfkocher kpl 2 loch 90° | | 12mm* |
| 23 | 320496-81 | Ångkokare kpl. 2 hål 90° | Steam cook. cpl 2 hole 90° | Dampfkocher kpl 2 loch 90° | | 06mm** |
| 24 | 216623-80 | Behållare kpl. 2 hål 90° | Container cpl 2 hole 90° | Behälter kpl 2 loch | | |
| 25 | 60143-111 | Propp | Plug | Propfen | | DN10 3/8" |
| 26 | 320487-80 | Lock | Lid | Deckel | | 12mm* |
| 26 | 320487-81 | Lock | Lid | Deckel | | 06mm* |

* Elektroavstånd 12mm

** Elektroavstånd 06mm

***** 511044-80**

| Ant. Qty Anz. | Montagesats ångkokarlock | Mounting set Lid for steam cooker | Montage satz Deckel für Dampfkocher |
|---------------------|-----------------------------|---|---|
| 3 | 60552-800 | Träskruv | Wood screw Holzschraube 6x50 rfr |
| 3 | 60570-801 | Bricka | Washer Scheibe BRB 6,4x12x1,6 rfr |
| 3 | 60017-329 | Skruv | Screw Schraube M6S 5x16 fzb |
| 3 | 60010-146 | Bricka | Washer Scheibe 5,3x15 rfr |
| 1 | 420046-01 | Packning | Gasket Dichtung Ø160 x Ø129 x 1 |