

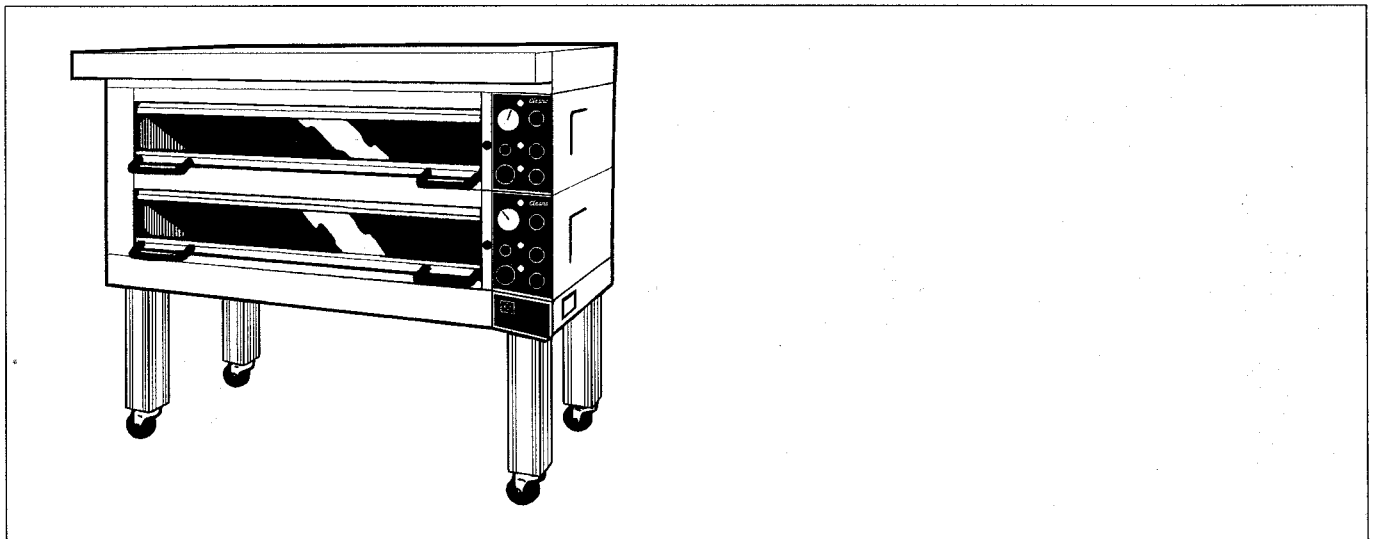
Classic

Däckugn / Pizzaugn

Deck oven / Pizza oven

Sektionsofen / Pizzaofen

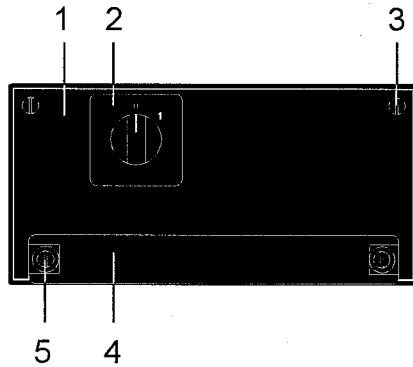
| | | | | | |
|------|-------|-------|--------|-------|------|
| Typ: | DC-1 | DC-2 | DC-2E | DC-3 | DC-4 |
| | DC-1P | DC-2P | DC-2EP | DC-3P | |



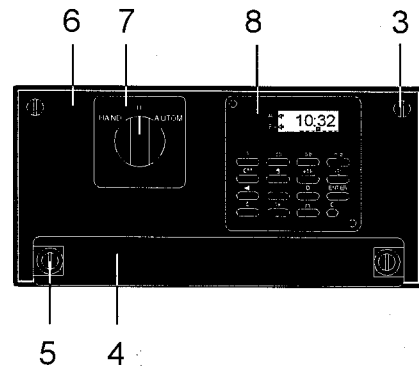
Reservdelista
Spare Parts List
Ersatzteilliste

| | | | |
|----------------------------|----------------------------|------------------------------|-------|
| Instrumentpanel Manöver | Instrument panel Control | Instrumententafel Steuerung | 3 |
| Instrumentpanel Bakugn | Instrument panel Bake oven | Instrumententafel Backenofen | 4-5 |
| Instrumentpanel Pizza | Instrument panel Pizza | Instrumententafel Pizza | 6-7 |
| Elskåp | Distribution box | Schaltschrank | 8 |
| Luckmekanism | Door Mechanism | Tür Mechanismus | 9 |
| Lucka | Door | Tür | 10-13 |
| Ånga | Steam | Dampf | 14-15 |
| Ugnsrum Bakugn | Oven chamber Bake oven | Ofenraum Backenofen | 16-17 |
| Ugnsrum Pizza | Oven chamber Pizza | Ofenraum Pizza | 18-19 |
| Utvändiga detaljer | Exterior parts | Aussenteile | 20-21 |
| Benställning med tillbehör | Legs with accessoires | Beine mit zubehören | 22-23 |

Standard

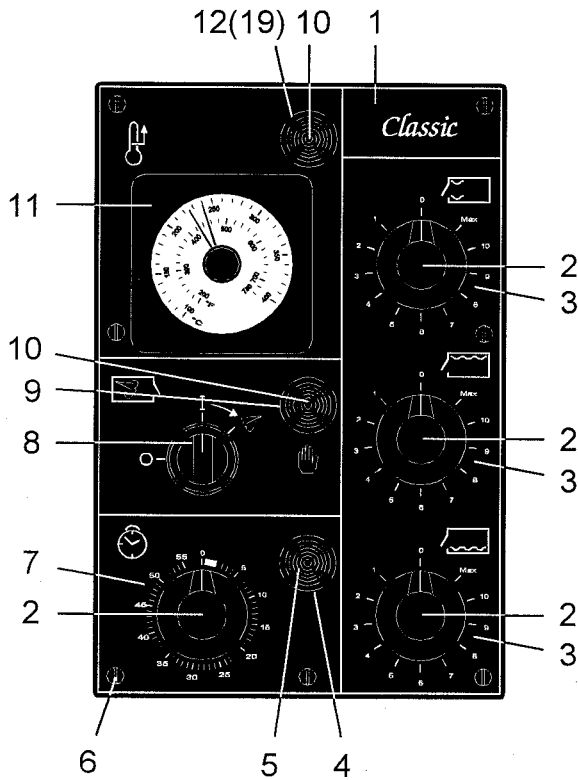


Veckour/Week timer/Wochenuhr

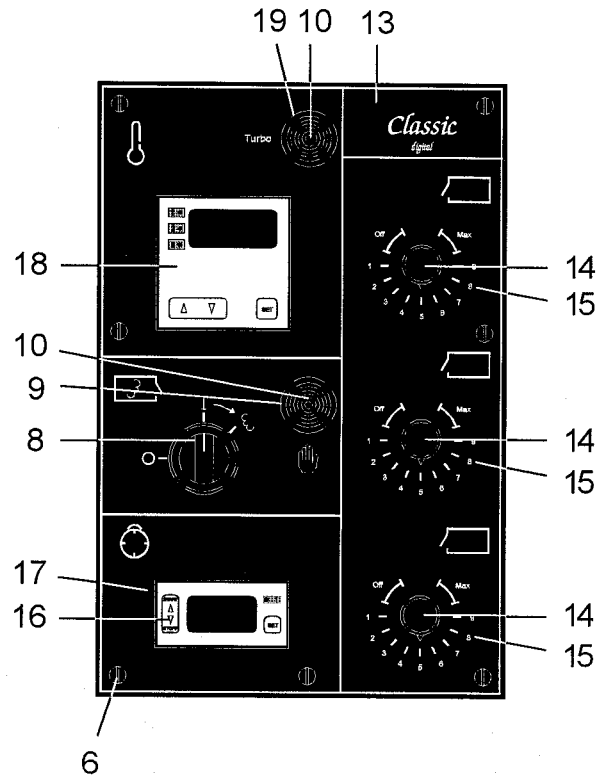


| Pos Fig. Teil | Best.nr Order No Best.Nr | Benämning | Description | Benennung | Anm. Notes Anm. |
|---------------------|--------------------------------|---------------|---------------|----------------|-----------------------|
| 1 | 319109-01 | Manöverpanel | Control panel | Armaturenbrett | Standard |
| 2 | 317026-01 | Strömställare | Switch | Nockenschalter | 0-1 |
| 3 | 60364-327 | Skruv | Screw | Schraube | MKFS 5x12 |
| 4 | 60419-800 | Handtag | Handle | Türgriff | L=197mm |
| 5 | 60072-333 | Skruv | Screw | Schraube | MCS 5x25 |
| 5 | 60010-146 | Bricka | Washer | Scheibe | 5,2x12 |
| 6 | 319126-01 | Manöverpanel | Control panel | Armaturenbrett | Tidur/Timer/Zeituhr |
| 7 | 317026-19 | Strömställare | Switch | Nockenschalter | Hand-0-Autom. |
| 8 | 50473-01 | Veckour | Week timer | Wochenuhr | Digital |

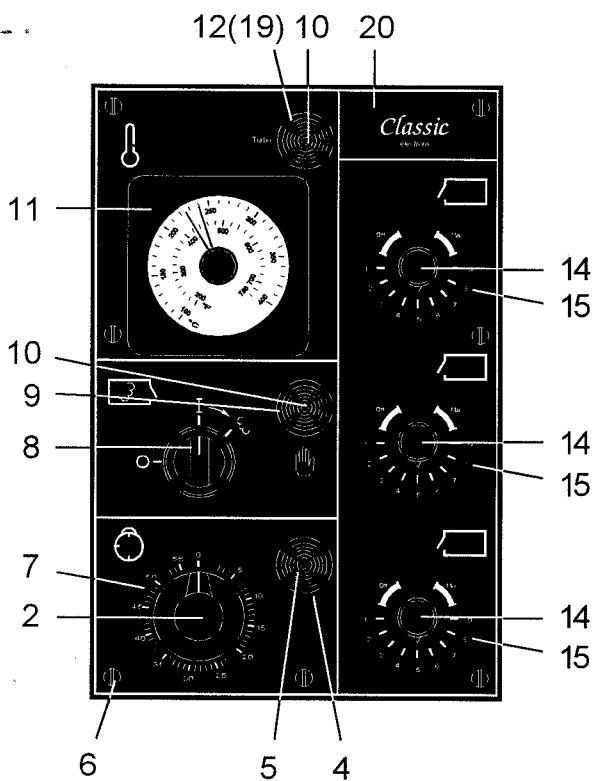
Standard




Digital



Elektronic

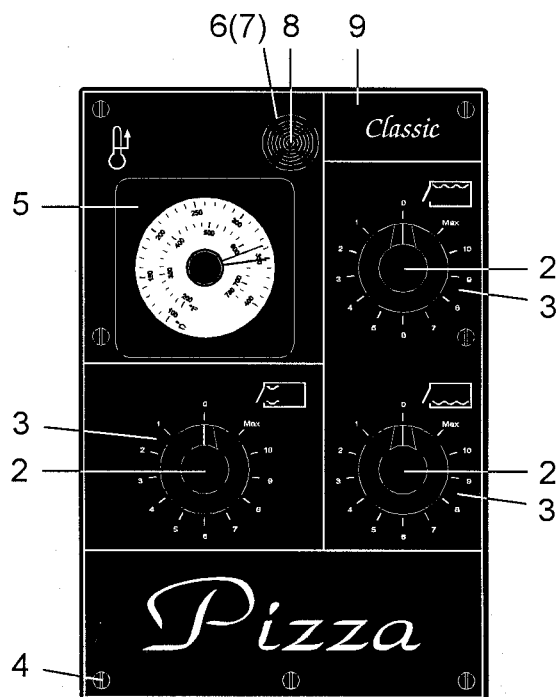
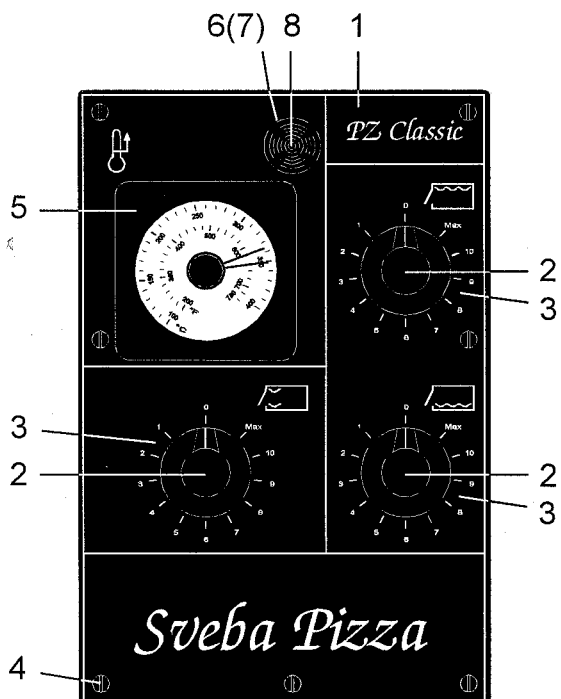


| | | | | |
|--|-----------------|------------------|-------------------|--|
|  | Instrumentpanel | Instrument panel | Instrumententafel | |
| | Bakugn | Bake oven | Backenofen | |

| Pos Fig. Teil | Best.nr Order No Best.Nr | Benämning | Description | Benennung | Anm. Notes Anm. |
|---------------------|--------------------------------|---------------------|-----------------------|-----------------------|-----------------------|
| 1 | 113139-01 | Instrumentpanel | Control panel | Armaturenbrett | Standard |
| 2 | 60438-800 | Vred | Knob | Drehknopf | Ø 48 mm |
| 3 | 412606-01 | Effektregulator | Power control | Leistungsregistrierer | 250V 15A |
| 3 | 412606-03 | Effektregulator | Power control | Leistungsregistrierer | 120V 15A |
| 4 | 60225-802 | Signallampa | Pilot lamp holder | Signallampenhalter | Grön/Green/Grün |
| 4 | 60429-802 | Signallampa | Pilot lamp | Signallampe | 220/6VGrön/Green/Grün |
| 5 | 60226-810 | Glimlampa | Glowing lamp | Glimmlampe | reflektor 220V (grön) |
| 5 | 60226-811 | Glödlampa | Light bulb | Glühlampe | 127V (grön) |
| 6 | 60364-327 | Skruv | Screw | Schraube | MKFS 5x12 |
| 7 | 50073-10 | Tidur | Timer | Schaltuhr | 60 min. 220-240V 60Hz |
| 7 | 50073-05 | Tidur | Timer | Schaltuhr | 60 min. 240V 50Hz |
| 7 | 50073-06 | Tidur | Timer | Schaltuhr | 60 min. 120V 60Hz |
| 8 | 317026-06 | Strömställare | Switch | Nockenschalter | 0-1-Push |
| 9 | 60225-801 | Signallampa | Pilot lamp holder | Signallampenhalter | Röd/Red/Rot |
| 9 | 60429-801 | Signallampa | Pilot lamp | Signallampe | 220/6V Röd/Red/Rot |
| 10 | 60226-800 | Glimlampa | Glowing lamp | Glimmlampe | 220V |
| 10 | 60226-801 | Glimlampa | Glowing lamp | Glimmlampe | 110V |
| 11 | 60452-800 | Termostat | Thermostat | Thermostat | 50-350°C 96x96mm |
| 11 | 60452-801 | Termostat | Thermostat | Thermostat | 120-660°F USA 96x96 |
| 12 | 60225-800 | Signallampa | Pilot lamp holder | Signallampenhalter | Gul/Yellow/Gelb |
| 12 | 60429-800 | Signallampa | Pilot lamp | Signallampe | 220/6VGul/Yellow/Gelb |
| 13 | 113182-01 | Instrumentpanel | Control panel | Armaturenbrett | Digital |
| 14 | 60411-810 | Pilratt | Arrow knob | Pfeilknopf | Kompl Ø21mm |
| 15 | 60483-800 | Potentiometer | Potentiometer | Potentiometer | 10k |
| 16 | 60482-800 | Timer | Timer | Zeituhr | 12V |
| 17 | 60482-801 | Transformator | Transformer | Transformator | 220V |
| 17 | 60482-802 | Transformator | Transformer | Transformator | 110V |
| 18 | 60481-800 | Temperaturregulator | Temperatur controller | Temperatur Regulator | 220V |
| 18 | 60481-801 | Temperaturregulator | Temperatur controller | Temperatur Regulator | 110V |
| 19 | 60290-851 | Lamptryckknapp | Illum. push button | Leuchtdrucktaster | Gul/Yellow/Gelb |
| 20 | 113167-01 | Instrumentpanel | Control panel | Armaturenbrett | Elektronic |

PZ

Pizza



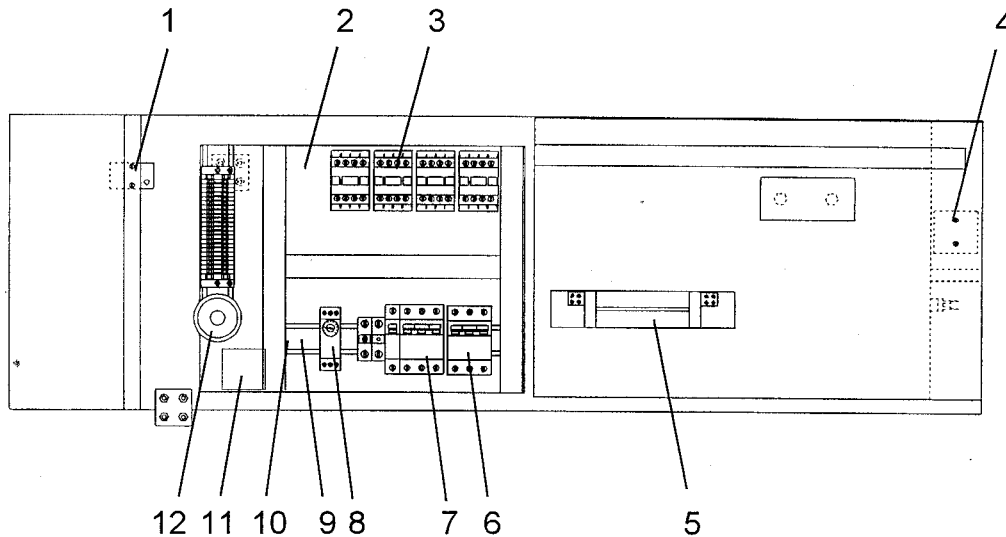


Instrumentpanel
Pizza

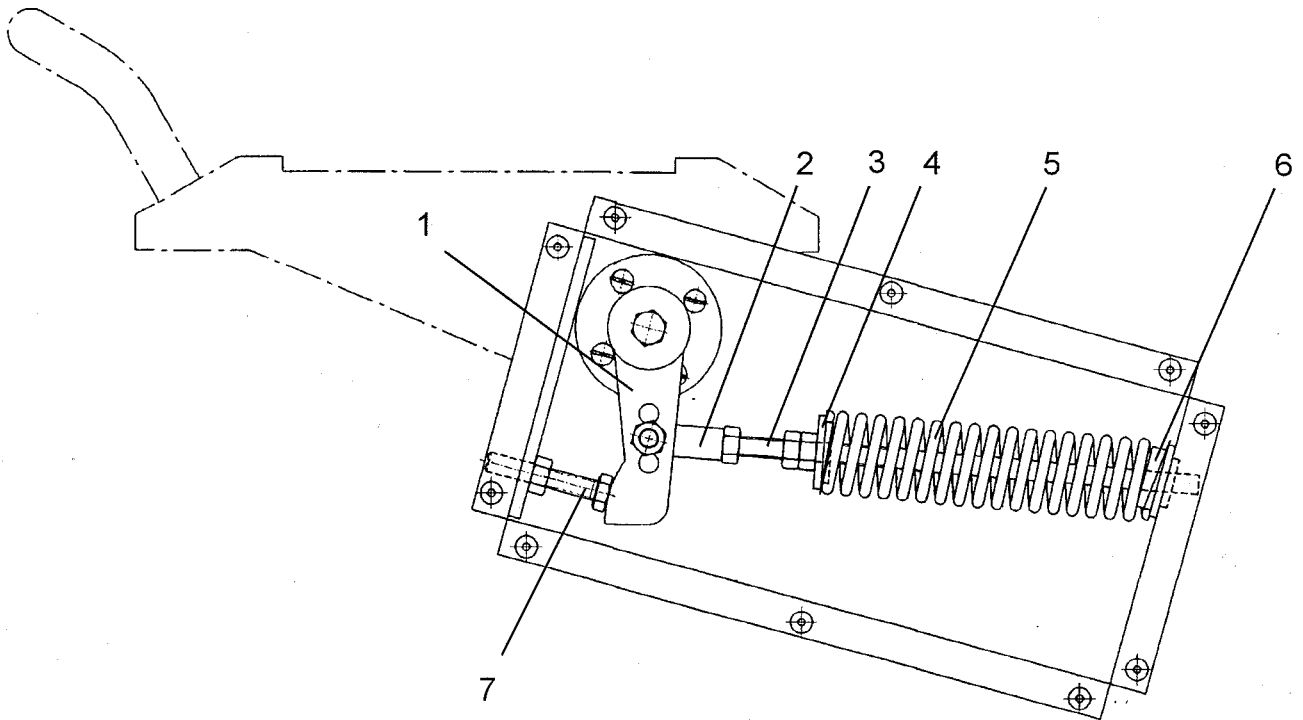
Instrument panel
Pizza

Instrumententafel
Pizza

| Pos Fig. Teil | Best.nr Order No Best.Nr | Benämning | Description | Benennung | Anm. Notes Anm. |
|---------------------|--------------------------------|-----------------|--------------------|-----------------------|-----------------------|
| 1 | 113151-01 | Instrumentpanel | Control panel | Armaturenbrett | PZ Classic |
| 2 | 60438-800 | Vred | Knob | Drehknopf | Ø 48 mm |
| 3 | 412606-01 | Effektregulator | Power control | Leistungsregistrierer | 250V 15A |
| 3 | 412606-03 | Effektregulator | Power control | Leistungsregistrierer | 120V 15A |
| 4 | 60364-327 | Skruv | Screw | Schraube | MKFS 5x12 |
| 5 | 60452-802 | Termostat | Thermostat | Thermostat | 100-400 °C 96x96mm |
| 6 | 60225-800 | Signallampa | Pilot lamp holder | Signallampenhalter | Gul/Yellow/Gelb |
| 6 | 60429-800 | Signallampa | Pilot lamp | Signallampe | 220/6VGul/Yellow/Gelb |
| 7 | 60290-851 | Lamptryckknapp | Illum. push button | Leuchtdrucktaster | Gul/Yellow/Gelb |
| 8 | 60226-800 | Glimlampa | Glowing lamp | Glimmlampe | 220V |
| 8 | 60226-801 | Glimlampa | Glowing lamp | Glimmlampe | 110V |
| 9 | 113140-01 | Instrumentpanel | Control panel | Armaturenbrett | Pizza |



| Pos Fig. Teil | Best.nr Order No Best.Nr | Benämning | Description | Benennung | Anm. Notes Anm. |
|---------------------|--------------------------------|------------------------------|--------------------------|---------------------------------|-------------------------|
| 1 | 60385-800 | Överhettningsskydd | Overheat protection | Überheitzschutz | .20-500 °C |
| 2 | 215838-01 | Komponenthylla | Component shelf | Komponentenregal | |
| 3 | 60374-800 | Kontaktor | Contacteur | Schütts | 25/20A 220V 50/60Hz |
| 3 | 60375-800 | Kontaktor | Contacteur | Schütts | 40A 220V 50/60Hz |
| 3 | 60374-804 | Kontaktor | Contacteur | Schütts | 20A 110V 60Hz |
| 3 | 60375-804 | Kontaktor | Contacteur | Schütts | 40A 110V 60Hz |
| 4 | 60283-800 | Termostat | Thermostat | Thermostat | 300-350°C |
| 5 | 60465-800 | Transformator | Transformer | Transformator | 240/12V 50VA |
| 6 | 60232-807 | Automatsäkring | Circuit breaker | Automatsicherung | 3-polig 10A |
| 7 | 60232-805 | Automatsäkring | Circuit breaker | Automatsicherung | 1-polig 10A |
| 7 | 60232-806 | Automatsäkring | Circuit breaker | Automatsicherung | 2-polig 10A |
| 7 | 60232-819 | Automatsäkring | Circuit breaker | Automatsicherung | 3-polig 25A |
| 7 | 60232-823 | Automatsäkring | Circuit breaker | Automatsicherung | 3-polig 32A |
| 7 | 60232-827 | Automatsäkring | Circuit breaker | Automatsicherung | 3-polig 40A |
| 7 | 60232-831 | Automatsäkring | Circuit breaker | Automatsicherung | 3-polig 50A |
| 7 | 60430-857 | Automatsäkring | Circuit breaker | Automatsicherung | 3-polig 25A 600V |
| 8 | 60472-800 | Tidrelä | Time relay | Zeitrelais | 0-100 sec. 220V50/60Hz |
| 8 | 60472-801 | Tidrelä | Time relay | Zeitrelais | 0-100 sec. 110V50/60Hz |
| 9 | 50390-01 | Störningsskydd | Radio shield | Störschutz | |
| 10 | 60484-800 | Elektronisk effekt-reglering | Electronic power control | Elektronische leistungsregelung | |
| 11 | 412333-07 | Transformator | Transformer | Transformator | Prim200,230,240,254,278 |
| 12 | 412561-01 | Signalsummer | Buzzer | Summer | 220V |
| 12 | 60252-800 | Signalsummer | Buzzer | Summer | 110V UL |

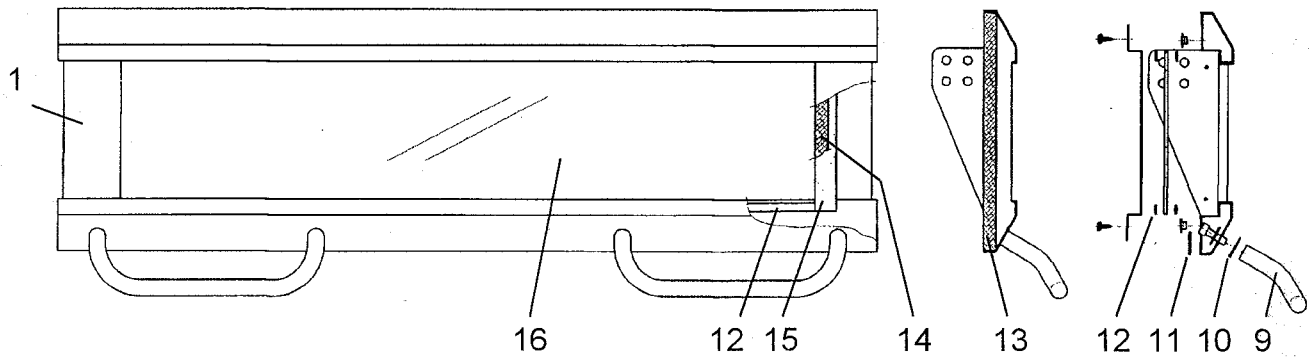
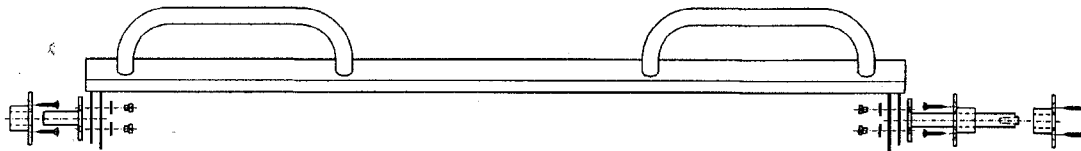
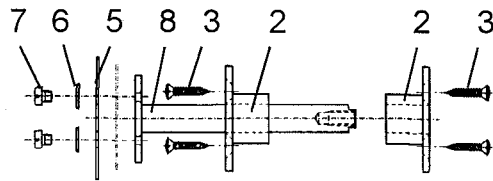
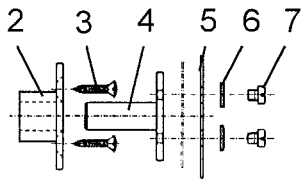


| Pos Fig. Teil | Best.nr Order No Best.Nr | Benämning | Description | Benennung | Anm. Notes Anm. |
|---------------------|--------------------------------|----------------|-------------------|------------------|-----------------------|
| 1 | 417070-01 | Hävarm | Lever | Hebelarm | 5 x 30 x 95 mm |
| 2 | 60460-813 | Vinkellänk | Togglelink | Winkellenk | AS-13M8 |
| 3 | 417071-01 | Justeraxel | Adjusting spindle | Einstellachse | L=210 mm, M8 |
| 4 | 417072-01 | Fjäderstyrning | Spring guide | Federsteuerung | t=6 mm, Ø30 mm |
| 5 | 417346-01 | Luckfjäder | Door spring | Türfeder | 4,5 x 25 x 160 mm |
| 6 | 417073-01 | Axelstyrning | Spindle guide | Achsensteuerung | t=12, Ø30 mm |
| 7 | 60461-380 | Distansskruv | Spacer screw | Abstandsschraube | L=50 mm, M8 |

Lucka Bakugn

Door Bake oven

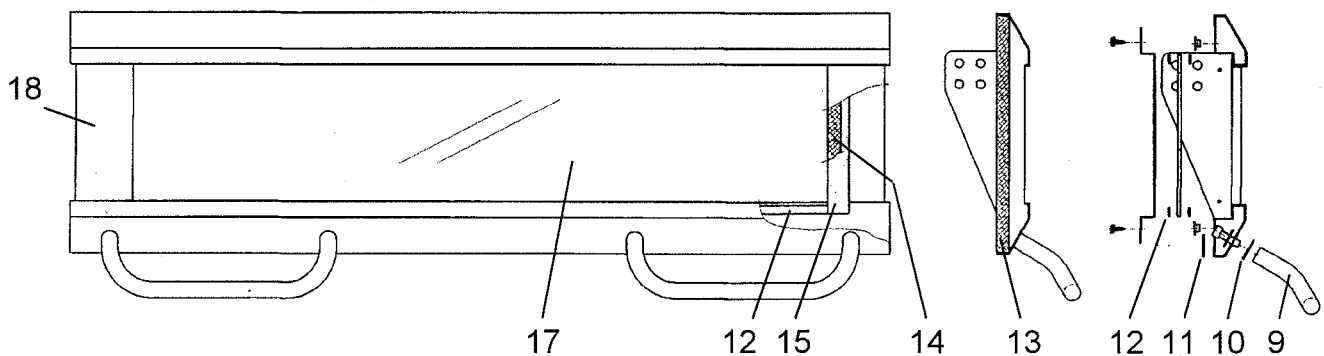
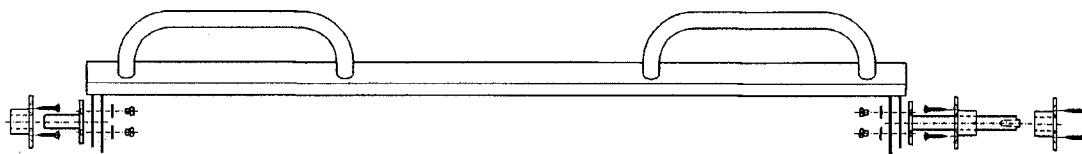
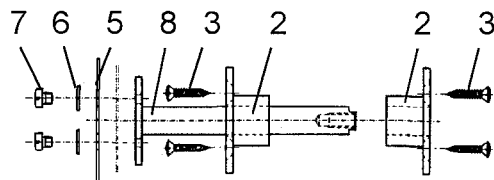
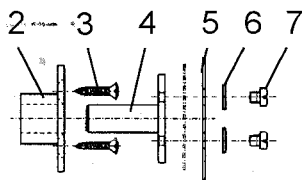
Tür Backenofen



Lucka Pizza

Door Pizza

Tür Pizza

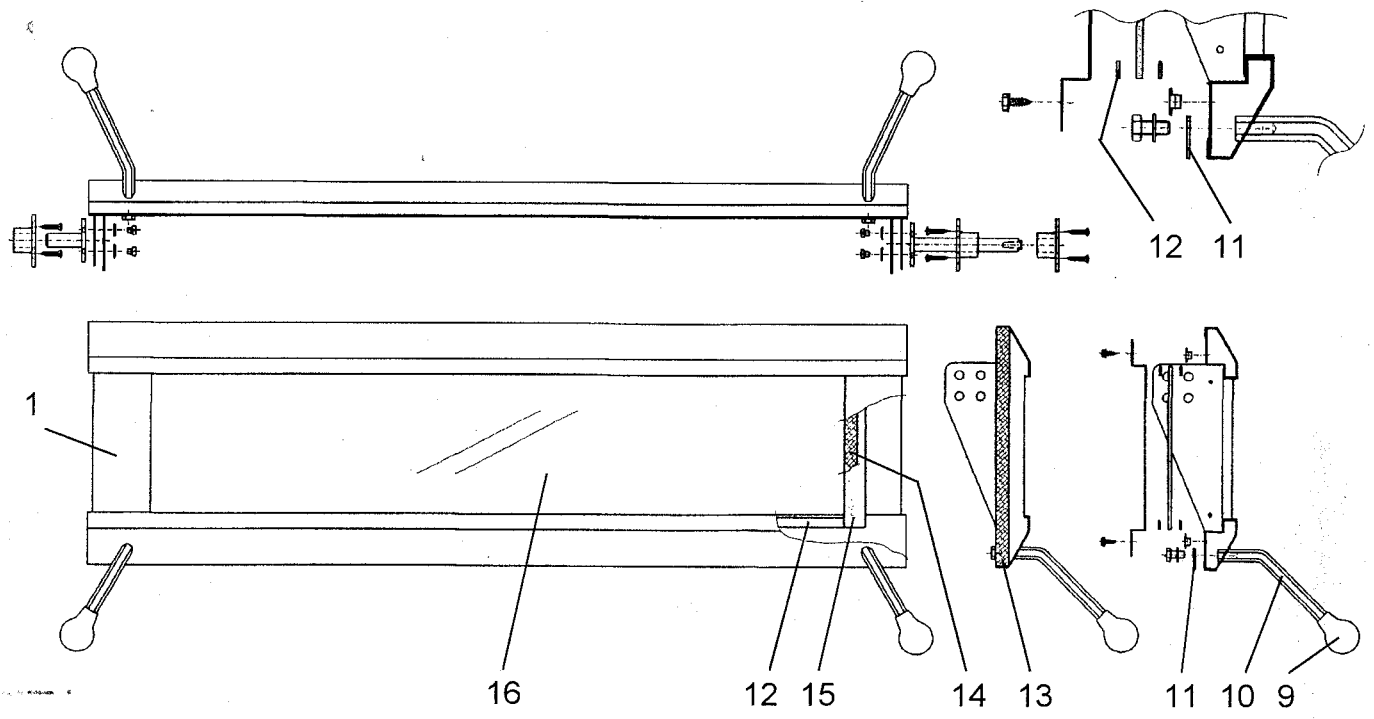
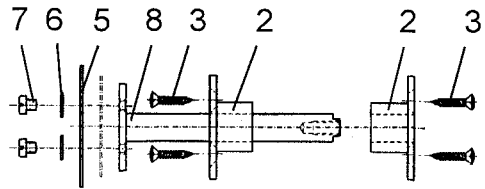
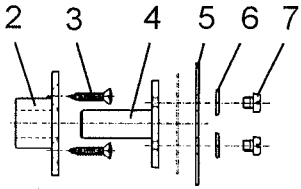


| Pos Fig. Teil | Best.nr Order No Best.Nr | Benämning | Description | Benennung | Anm. Notes Anm. |
|---------------|--------------------------|----------------------|-----------------------|-------------------------|-------------------------|
| 1 | 215787-80 | Glaslucka kompl. | Glassdoor complete | Glastür, komplett | DC-1 Låg/Low/Beliebig |
| 1 | 215787-81 | Glaslucka kompl. | Glassdoor complete | Glastür, komplett | DC-2 Låg/Low/Beliebig |
| 1 | 215787-82 | Glaslucka kompl. | Glassdoor complete | Glastür, komplett | DC-2ELåg/Low/Beliebig |
| 1 | 215787-83 | Glaslucka kompl. | Glassdoor complete | Glastür, komplett | DC-3 Låg/Low/Beliebig |
| 1 | 215787-84 | Glaslucka kompl. | Glassdoor complete | Glastür, komplett | DC-4 Låg/Low/Beliebig |
| 1 | 215787-85 | Glaslucka kompl. | Glassdoor complete | Glastür, komplett | DC-1 Hög/High/Hoch |
| 1 | 215787-86 | Glaslucka kompl. | Glassdoor complete | Glastür, komplett | DC-2 Hög/High/Hoch |
| 1 | 215787-87 | Glaslucka kompl. | Glassdoor complete | Glastür, komplett | DC-2E Hög/High/Hoch |
| 1 | 215787-88 | Glaslucka kompl. | Glassdoor complete | Glastür, komplett | DC-3 Hög/High/Hoch |
| 1 | 215787-89 | Glaslucka kompl. | Glassdoor complete | Glastür, komplett | DC-4 Hög/High/Hoch |
| 2 | 416382-01 | Lucklager | Door bearing | Türlager | |
| 3 | 60028-413 | Skruv | Screw | Schraube | KFXS B10 x 19 |
| 4 | 410346-80 | Luckaxel kort | Door shaft, short | Türachse, kurz | L=45 Vänster/Left/Link |
| 5 | 414779-01 | Klämbricka | Clamp washer | Klemmscheibe | t=1,5 Ø70 |
| 6 | 60010-153 | Bricka | Washer | Scheibe | 6,3 x 16 RFR |
| 7 | 60030-360 | Skruv | Screw | Schraube | MCS 6 x 8 |
| 8 | 417069-80 | Luckaxel lång | Door shaft, long | Türachse, lang | L=128 Höger/Right/Recht |
| 9 | 319108-01 | Luckhandtag bygel | Doorhandle | Türgriff | Ø19 x 100 x 250 mm |
| 10 | 416366-01 | Teflonbricka | Teflon washer | Teflon Scheibe | t=1,5 Ø25 |
| 11 | 65067-191 | Packning | Gasket | Dichtung | DC-1 L=635 mm |
| 11 | 65067-191 | Packning | Gasket | Dichtung | DC-2 L= 950 mm |
| 11 | 65067-191 | Packning | Gasket | Dichtung | DC-2E L= 1265 mm |
| 11 | 65067-191 | Packning | Gasket | Dichtung | DC-3 L= 1580 mm |
| 11 | 65067-191 | Packning | Gasket | Dichtung | DC-4 L= 1895 mm |
| 12 | 65067-119 | Tätning | Gasket | Dichtung | DC-1 L= 2500 mm |
| 12 | 65067-119 | Tätning | Gasket | Dichtung | DC-2 L= 3700 mm |
| 12 | 65067-119 | Tätning | Gasket | Dichtung | DC-2E L= 5000 mm |
| 12 | 65067-119 | Tätning | Gasket | Dichtung | DC-3 L= 6200 mm |
| 12 | 65067-119 | Tätning | Gasket | Dichtung | DC-4 L= 7500 mm |
| 13 | 417165-80 | Luckpackning låg | Door gasket low | Türdichtung niedrig | L=215mm, Ø15mm |
| 13 | 417165-81 | Luckpackning hög | Door gasket high | Türdichtung hoch | L=275mm, Ø15mm |
| 14 | 65142-815 | Glasfiberslang | Glass fibre house | Glasfiberschlauch | L= 130 mm (x2) |
| 14 | 65142-815 | Glasfiberslang | Glass fibre house | Glasfiberschlauch | L= 190 mm (x2) |
| 15 | 65067-191 | Packning | Gasket | Dichtung | L= 130 mm (x2) |
| 15 | 65067-191 | Packning | Gasket | Dichtung | L= 190 mm (x2) |
| 16 | 318657-01 | Luckglas härdat | Door glass toughened | Türglas, gehärtet | DC-1 4x127x610mm |
| 16 | 318657-02 | Luckglas härdat | Door glass toughened | Türglas, gehärtet | DC-2 4x127x925mm |
| 16 | 318657-03 | Luckglas härdat | Door glass toughened | Türglas, gehärtet | DC-2E 4x127x1240mm |
| 16 | 318657-04 | Luckglas härdat | Door glass toughened | Türglas, gehärtet | DC-3 4x127x1555mm |
| 16 | 318657-05 | Luckglas härdat | Door glass toughened | Türglas, gehärtet | DC-4 4x127x1870mm |
| 16 | 318657-06 | Luckglas härdat | Door glass toughened | Türglas, gehärtet | DC-1 4x187x610mm |
| 16 | 318657-07 | Luckglas härdat | Door glass toughened | Türglas, gehärtet | DC-2 4x187x925mm |
| 16 | 318657-08 | Luckglas härdat | Door glass toughened | Türglas, gehärtet | DC-2E 4x187x1240mm |
| 16 | 318657-09 | Luckglas härdat | Door glass toughened | Türglas, gehärtet | DC-3 4x187x1555mm |
| 16 | 318657-10 | Luckglas härdat | Door glass toughened | Türglas, gehärtet | DC-4 4x187x1870mm |
| 17 | 318900-01 | Luckglas keramiskt | Door glass ceramic | Türglas, keramisch | DC-1P 4x127x610mm |
| 17 | 318900-02 | Luckglas keramiskt | Door glass ceramic | Türglas, keramisch | DC-2P 4x127x925mm |
| 17 | 318900-03 | Luckglas keramiskt | Door glass ceramic | Türglas, keramisch | DC-2EP 4x127x1240mm |
| 17 | 318900-04 | Luckglas keramiskt | Door glass ceramic | Türglas, keramisch | DC-3P 4x127x1555mm |
| 17 | 318900-06 | Luckglas keramiskt | Door glass ceramic | Türglas, keramisch | DC-1P 4x187x610mm |
| 17 | 318900-07 | Luckglas keramiskt | Door glass ceramic | Türglas, keramisch | DC-2P 4x187x925mm |
| 17 | 318900-08 | Luckglas keramiskt | Door glass ceramic | Türglas, keramisch | DC-2EP 4x187x1240mm |
| 17 | 318900-09 | Luckglas keramiskt | Door glass ceramic | Türglas, keramisch | DC-3P 4x187x1555mm |
| 18 | 215955-80 | Glaslucka kpl. Pizza | Glassdoor compl.Pizza | Glastür, komplett Pizza | DC-1P Låg/Low/Beliebig |
| 18 | 215955-81 | Glaslucka kpl. Pizza | Glassdoor compl.Pizza | Glastür, komplett Pizza | DC-2P Låg/Low/Beliebig |
| 18 | 215955-82 | Glaslucka kpl. Pizza | Glassdoor compl.Pizza | Glastür, komplett Pizza | DC-2EP Låg/Low/Beliebig |
| 18 | 215955-83 | Glaslucka kpl. Pizza | Glassdoor compl.Pizza | Glastür, komplett Pizza | DC-3P Låg/Low/Beliebig |
| 18 | 215955-85 | Glaslucka kpl. Pizza | Glassdoor compl.Pizza | Glastür, komplett Pizza | DC-1P Hög/High/Hoch |
| 18 | 215955-86 | Glaslucka kpl. Pizza | Glassdoor compl.Pizza | Glastür, komplett Pizza | DC-2P Hög/High/Hoch |
| 18 | 215955-87 | Glaslucka kpl. Pizza | Glassdoor compl.Pizza | Glastür, komplett Pizza | DC-2EP Hög/High/Hoch |
| 18 | 215955-88 | Glaslucka kpl. Pizza | Glassdoor compl.Pizza | Glastür, komplett Pizza | DC-3P Hög/High/Hoch |

Lucka Pizza England

Door Pizza England

Tür Pizza England



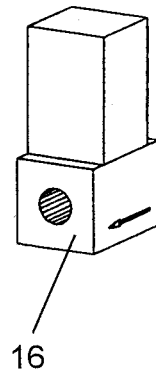
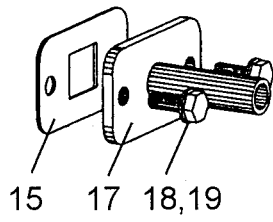
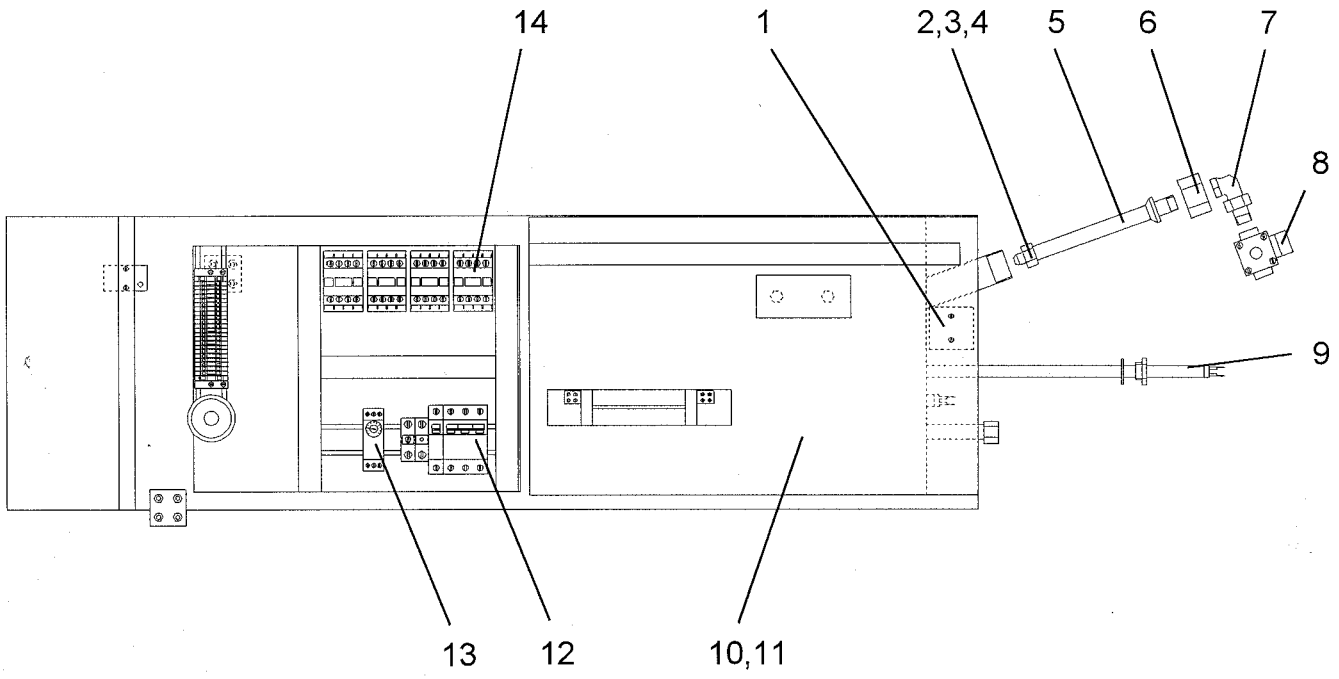


Lucka

Door

Tür

| Pos Fig. Teil | Best.nr Order No Best.Nr | Benämning | Description | Benennung | Anm. Notes Anm. |
|---------------------|--------------------------------|------------------------|-----------------------|-------------------------|-------------------------|
| 1 | 215788-80 | Glaslucka kompl. Engl. | Glassdoor complete E. | Glastür, komplett Engl. | DC-1 Låg/Low/Beliebig |
| 1 | 215788-81 | Glaslucka kompl. Engl. | Glassdoor complete E. | Glastür, komplett Engl. | DC-2 Låg/Low/Beliebig |
| 1 | 215788-82 | Glaslucka kompl. Engl. | Glassdoor complete E. | Glastür, komplett Engl. | DC-2ELåg/Low/Beliebig |
| 1 | 215788-83 | Glaslucka kompl. Engl. | Glassdoor complete E. | Glastür, komplett Engl. | DC-3 Låg/Low/Beliebig |
| 1 | 215788-85 | Glaslucka kompl. Engl. | Glassdoor complete E. | Glastür, komplett Engl. | DC-1 Hög/High/Hoch |
| 1 | 215788-86 | Glaslucka kompl. Engl. | Glassdoor complete E. | Glastür, komplett Engl. | DC-2 Hög/High/Hoch |
| 1 | 215788-87 | Glaslucka kompl. Engl. | Glassdoor complete E. | Glastür, komplett Engl. | DC-2E Hög/High/Hoch |
| 1 | 215788-88 | Glaslucka kompl. Engl. | Glassdoor complete E. | Glastür, komplett Engl. | DC-3 Hög/High/Hoch |
| 2 | 416382-01 | Lucklager | Door bearing | Türlager | |
| 3 | 60028-413 | Skruv | Screw | Schraube | KFXS B10 x 19 |
| 4 | 410346-80 | Luckaxel kort | Door shaft, short | Türachse, kurz | L=45 Vänster/Left/Link |
| 5 | 414779-01 | Klämbricka | Clamp washer | Klemmscheibe | t=1,5 Ø70 |
| 6 | 60010-153 | Bricka | Washer | Scheibe | 6,3 x 16 RFR |
| 7 | 60030-360 | Skruv | Screw | Schraube | MCS 6 x 8 |
| 8 | 417069-80 | Luckaxel lång | Door shaft, long | Türachse, lang | L=128 Höger/Right/Recht |
| 9 | 60453-800 | Päronknopp | Pear-shaped knob | Birnen-föribger knopf | L=52 mm, Ø39 mm |
| 10 | 417026-01 | Luckhandtag | Doorhandle | Türgriff | 12 mm 6k |
| 11 | 65067-191 | Packning | Gasket | Dichtung | DC-1 L= 635 mm |
| 11 | 65067-191 | Packning | Gasket | Dichtung | DC-2 L= 950 mm |
| 11 | 65067-191 | Packning | Gasket | Dichtung | DC-2E L= 1265 mm |
| 11 | 65067-191 | Packning | Gasket | Dichtung | DC-3 L= 1580 mm |
| 12 | 65067-119 | Tätning | Gasket | Dichtung | DC-1 L= 2500 mm |
| 12 | 65067-119 | Tätning | Gasket | Dichtung | DC-2 L= 3700 mm |
| 12 | 65067-119 | Tätning | Gasket | Dichtung | DC-2E L= 5000 mm |
| 12 | 65067-119 | Tätning | Gasket | Dichtung | DC-3 L= 6200 mm |
| 13 | 417165-80 | Luckpackning låg | Door gasket low | Türdichtung niedrig | L=215mm, Ø15mm |
| 13 | 417165-81 | Luckpackning hög | Door gasket high | Türdichtung hoch | L=275mm, Ø15mm |
| 14 | 65142-815 | Glasfiberslang | Glass fibre house | Glasfiberschlauch | L= 130 mm (x2) |
| 14 | 65142-815 | Glasfiberslang | Glass fibre house | Glasfiberschlauch | L= 190 mm (x2) |
| 15 | 65067-191 | Packning | Gasket | Dichtung | L= 130 mm (x2) |
| 15 | 65067-191 | Packning | Gasket | Dichtung | L= 190 mm (x2) |
| 16 | 318900-01 | Luckglas keramiskt | Door glass ceramic | Türglas, keramisch | DC-1 4x127x610mm |
| 16 | 318900-02 | Luckglas keramiskt | Door glass ceramic | Türglas, keramisch | DC-2 4x127x925mm |
| 16 | 318900-03 | Luckglas keramiskt | Door glass ceramic | Türglas, keramisch | DC-2E 4x127x1240mm |
| 16 | 318900-04 | Luckglas keramiskt | Door glass ceramic | Türglas, keramisch | DC-3 4x127x1555mm |
| 16 | 318900-06 | Luckglas keramiskt | Door glass ceramic | Türglas, keramisch | DC-1 4x187x610mm |
| 16 | 318900-07 | Luckglas keramiskt | Door glass ceramic | Türglas, keramisch | DC-2 4x187x925mm |
| 16 | 318900-08 | Luckglas keramiskt | Door glass ceramic | Türglas, keramisch | DC-2E 4x187x1240mm |
| 16 | 318900-09 | Luckglas keramiskt | Door glass ceramic | Türglas, keramisch | DC-3 4x187x1555mm |





Ånga

Steam

Dampf

Ångalstrare

Steam Generator

Dampfgenerator

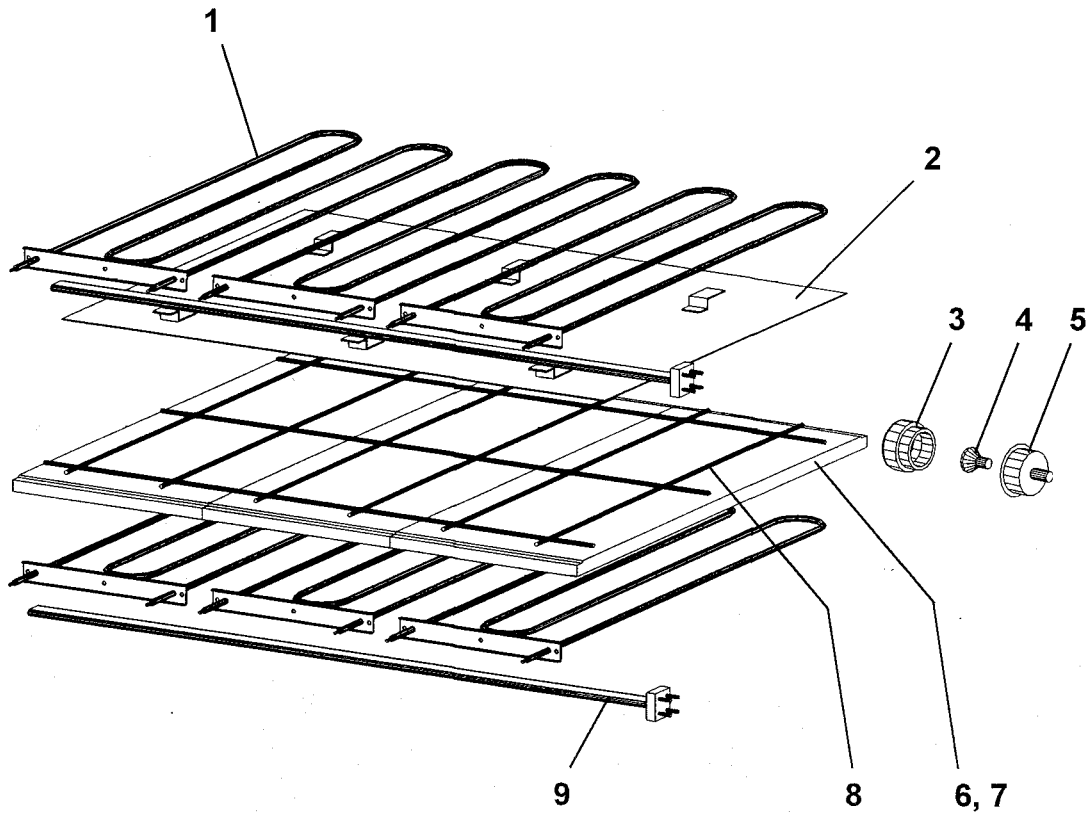
| Pos Fig. Teil | Best.nr Order No Best.Nr | Benämning | Description | Benennung | Anm. Notes Anm. |
|---------------|--------------------------|----------------------------|---------------------------|---------------------------|------------------------|
| 1 | 60283-800 | Termostat | Thermostat | Thermostat | 300-350 °C |
| 2 | 60387-804 | Dysa | Water Jet | Duese | TIP TG SS 3 |
| 3 | 60387-803 | Sil | Strainer | Sieb | 5053-50 |
| 4 | 60387-802 | Mutter | Nut | Mutter | CCP 14761-3/8" SS |
| 5 | 417151-80 | Dysrör | Nozzle pipe | Düsenleitung | L=180 mm |
| 6 | 416870-01 | Sexkanthuv | Hexagonal cap | Sechskantschraube | |
| 7 | 60047-111 | Radiatorkoppling | Tube coupling | Rohr- kupplungs | 90 GR DN 10 Met |
| 2-8 | 319057-80 | Dysrör kompl. | Complete nozzle pipe | Düsenleitung komplett | 230V |
| 2-8 | 319057-81 | Dysrör kompl. | Complete nozzle pipe | Düsenleitung komplett | 110V |
| 8 | 60270-800 | Magnetventil | Solenoid valve | Solenoid ventile | 220V 50/60Hz |
| 8 | 60270-801 | Magnetventil | Solenoid valve | Solenoid ventile | 110V 60Hz |
| 9 | 318863-01 | Element | Element | Heizkörper | 600W 230V |
| 9 | 318863-02 | Element | Element | Heizkörper | 600W 200V |
| 9 | 318863-03 | Element | Element | Heizkörper | 600W 254V |
| 9 | 318863-04 | Element | Element | Heizkörper | 600W 277V |
| 10 | 215790-80 | Ångalstrare komplett | Steam gen. complete | Dampferzeuger komplett | 230V Std. (208/415) |
| 10 | 215790-81 | Ångalstrare komplett | Steam gen. complete | Dampferzeuger komplett | 110V USA (110/208) |
| 10 | 215790-82 | Ångalstrare komplett | Steam gen. complete | Dampferzeuger komplett | 200V Japan (100/200) |
| 10 | 215790-83 | Ångalstrare komplett | Steam gen. complete | Dampferzeuger komplett | 254V Marin (254/440) |
| 10 | 215790-84 | Ångalstrare komplett | Steam gen. complete | Dampferzeuger komplett | 277V USA (277/480) |
| 11 | 510912-80 | Monteringssats Ångalstrare | Mont. set Steam generator | Montagesatz Dampferzeuger | |
| 12 | 60232-807 | Automatsäkring | Circuit breaker | Automatsicherung | 3-polig 10A |
| 13 | 60472-800 | Tidrelä | Time relay | Zeitrelais | 0-100 sec. 220V50/60Hz |
| 13 | 60472-801 | Tidrelä | Time relay | Zeitrelais | 0-100 sec. 110V50/60Hz |
| 14 | 60374-800 | Kontaktor | Contactora | Schüts | 25/20A 220V 50/60Hz |
| 14 | 60374-804 | Kontaktor | Contactora | Schüts | 20A 110V 60Hz |

Extern ånga

External steam

Externem Dampf

| Pos Fig. Teil | Best.nr Order No Best.Nr | Benämning | Description | Benennung | Anm. Notes Anm. |
|---------------|--------------------------|--------------|-----------------|------------------|------------------------|
| 15 | 417166-01 | Packning | Gasket | Dichtung | 1,5 x 45 x 80 Graphite |
| 16 | 60249-800 | Magnetventil | Solenoid valve | Solenoid ventile | 220V |
| 16 | 60249-804 | Magnetventil | Solenoid valve | Solenoid ventile | 110V |
| 17 | 417740-80 | Fläns kompl. | Complete flange | Flansch komplett | |
| 18 | 60017-451 | Skruv | Screw | Schraube | M8 x 20 |
| 19 | 60010-165 | Bricka | Washer | Scheibe | 8,4 x 17 |



| | | | | | |
|-------|------|-------|-------|-------|-------|
| DC-1 | 300W | 900W | 900W | | |
| | 300W | 1300W | 1300W | | |
| DC-2 | 450W | 900W | 700W | 900W | |
| | 450W | 1300W | 900W | 1300W | |
| DC-2E | 600W | 900W | 700W | 700W | 900W |
| | 600W | 1300W | 900W | 900W | 1300W |
| DC-3 | 750W | 900W | 700W | 700W | 700W |
| | 750W | 1300W | 900W | 900W | 1300W |
| DC-4 | 900W | 900W | 700W | 700W | 700W |
| | 900W | 1300W | 900W | 900W | 1300W |

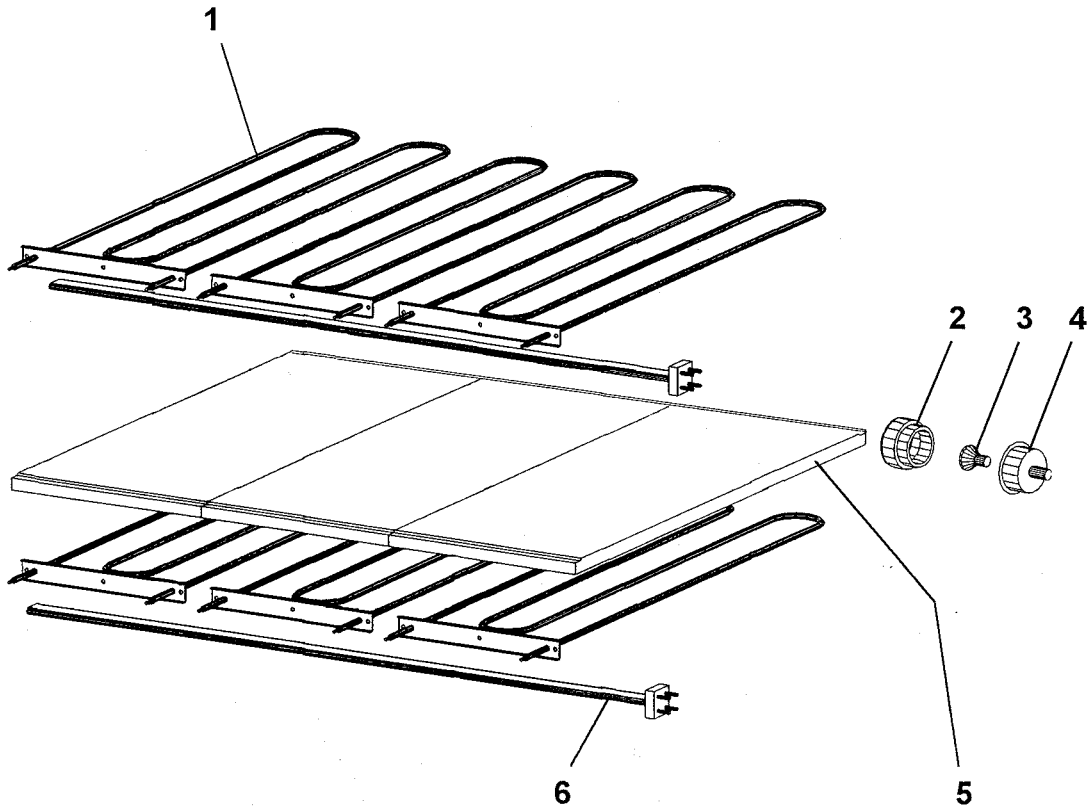


Ugnsrum
Bakugn

Oven chamber
Bake oven

Ofenraum
Backenofen

| Pos Fig. Teil | Best.nr Order No Best.Nr | Benämning | Description | Benennung | Anm. Notes Anm. |
|---------------------|--------------------------------|-----------------|----------------------|------------------|-----------------------|
| 1 | 318862-01 | Element | Element | Heizkörper | 700W 200V |
| 1 | 318862-03 | Element | Element | Heizkörper | 700W 230V |
| 1 | 318862-05 | Element | Element | Heizkörper | 700W 440V |
| 1 | 318862-06 | Element | Element | Heizkörper | 700W 480V |
| 1 | 318862-11 | Element | Element | Heizkörper | 900W 200V |
| 1 | 318862-13 | Element | Element | Heizkörper | 900W 230V |
| 1 | 318862-15 | Element | Element | Heizkörper | 900W 440V |
| 1 | 318862-16 | Element | Element | Heizkörper | 900W 480V |
| 1 | 318862-21 | Element | Element | Heizkörper | 1300W 200V |
| 1 | 318862-23 | Element | Element | Heizkörper | 1300W 230V |
| 1 | 318862-25 | Element | Element | Heizkörper | 1300W 440V |
| 1 | 318862-26 | Element | Element | Heizkörper | 1300W 480V |
| 2 | 215869-80 | Strålningsskydd | Radiation protection | Strahlungsblech | DC-1 595 x 700 mm |
| 2 | 215869-81 | Strålningsskydd | Radiation protection | Strahlungsblech | DC-2 910 x 700 mm |
| 2 | 215869-82 | Strålningsskydd | Radiation protection | Strahlungsblech | DC-2E 1225 x 700 mm |
| 2 | 215869-83 | Strålningsskydd | Radiation protection | Strahlungsblech | DC-3 1540 x 700 mm |
| 2 | 215869-84 | Strålningsskydd | Radiation protection | Strahlungsblech | DC-4 1855 x 700 mm |
| 3 | 417396-02 | Lampglas | Lamp glasses | Lampenschutzglas | (Halogen) |
| 4 | 60474-800 | Halogenlampa | Halogen lamp | Halogenlampe | B 15d 12V 20W |
| 5 | 417396-80 | Lamphållare | Lamp holder | Lampenfassungen | Kompl./Kompl./Kompl. |
| 6 | 318652-01 | Cementhård | Stone sole | Steinplatte | 20 x 315 x 840 mm |
| 7 | 215791-01 | Plåthård | Steel plate | Blechfeuerstelle | 20 x 315 x 840 mm |
| 8 | 215786-80 | Hårdgaller | Hearth grid | Herdgitter | DC-1 605 x 770 mm |
| 8 | 215786-81 | Hårdgaller | Hearth grid | Herdgitter | DC-2 920 x 770 mm |
| 8 | 215786-82 | Hårdgaller | Hearth grid | Herdgitter | DC-2E 1235 x 770 mm |
| 8 | 215786-83 | Hårdgaller | Hearth grid | Herdgitter | DC-3 1550 x 770 mm |
| 8 | 215786-84 | Hårdgaller | Hearth grid | Herdgitter | DC-4 1865 x 770 mm |
| 9 | 723172-80 | Element | Element | Heizkörper | 300W 230V |
| 9 | 723173-80 | Element | Element | Heizkörper | 450W 230V |
| 9 | 723174-80 | Element | Element | Heizkörper | 600W 230V |
| 9 | 723175-80 | Element | Element | Heizkörper | 750W 230V |
| 9 | 723176-80 | Element | Element | Heizkörper | 900W 230V |
| 9 | 723214-80 | Element | Element | Heizkörper | 300W 200V |
| 9 | 723215-80 | Element | Element | Heizkörper | 450W 200V |
| 9 | 723216-80 | Element | Element | Heizkörper | 600W 200V |
| 9 | 723217-80 | Element | Element | Heizkörper | 750W 200V |
| 9 | 723218-80 | Element | Element | Heizkörper | 900W 200V |



| | | | | | | |
|--------|-------|-------|-------|-------|-------|-------|
| DC-1P | 500W | 1300W | 1300W | | | |
| | 500W | 900W | 900W | | | |
| DC-2P | 750W | 1300W | 1300W | 1300W | | |
| | 750W | 900W | 700W | 900W | | |
| DC-2EP | 1000W | 1300W | 1300W | 1300W | 1300W | |
| | 1000W | 900W | 700W | 700W | 900W | |
| DC-3P | 1250W | 1300W | 1300W | 1300W | 1300W | 1300W |
| | 1250W | 900W | 700W | 700W | 700W | 900W |

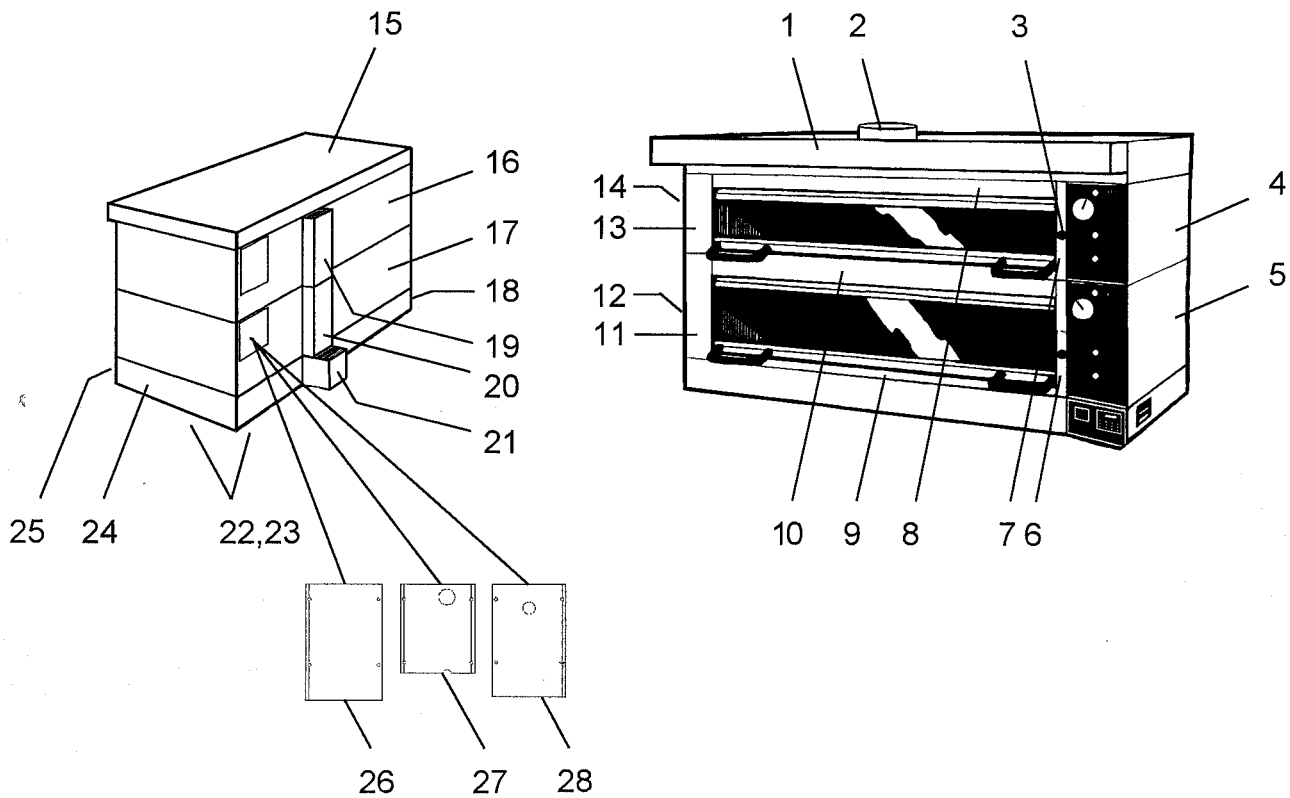


Ugnsrum
Pizza

Oven chamber
Pizza

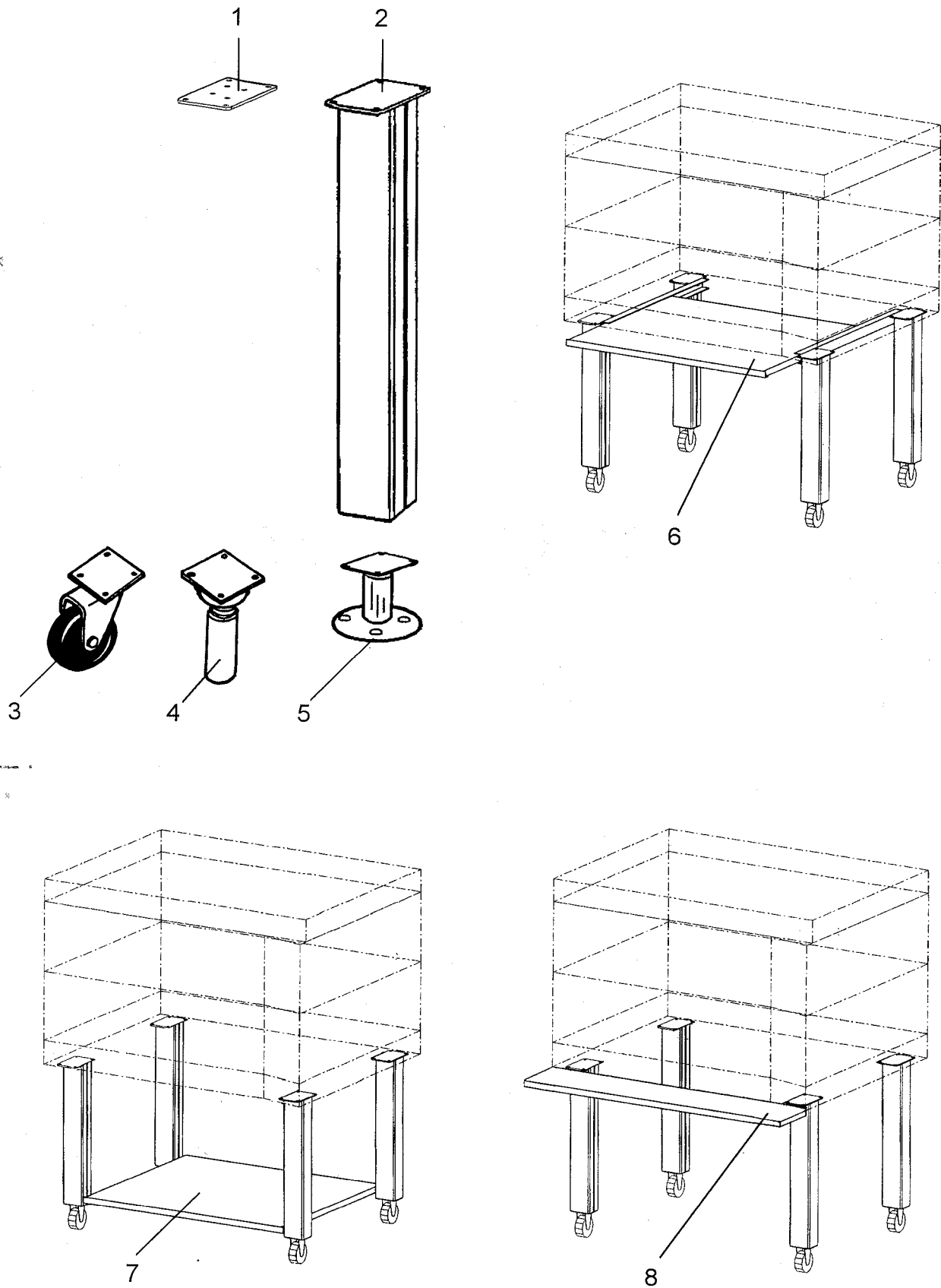
Ofenraum
Pizza

| Pos Fig. Teil | Best.nr Order No Best.Nr | Benämning | Description | Benennung | Anm. Notes Anm. |
|---------------------|--------------------------------|--------------|--------------|------------------|-----------------------|
| 1 | 318862-01 | Element | Element | Heizkörper | 700W 200V |
| 1 | 318862-03 | Element | Element | Heizkörper | 700W 230V |
| 1 | 318862-05 | Element | Element | Heizkörper | 700W 440V |
| 1 | 318862-06 | Element | Element | Heizkörper | 700W 480V |
| 1 | 318862-11 | Element | Element | Heizkörper | 900W 200V |
| 1 | 318862-13 | Element | Element | Heizkörper | 900W 230V |
| 1 | 318862-15 | Element | Element | Heizkörper | 900W 440V |
| 1 | 318862-16 | Element | Element | Heizkörper | 900W 480V |
| 1 | 318862-21 | Element | Element | Heizkörper | 1300W 200V |
| 1 | 318862-23 | Element | Element | Heizkörper | 1300W 230V |
| 1 | 318862-25 | Element | Element | Heizkörper | 1300W 440V |
| 1 | 318862-26 | Element | Element | Heizkörper | 1300W 480V |
| 2 | 417396-02 | Lampglas | Lamp glasses | Lampenschutzglas | (Halogen) |
| 3 | 60474-800 | Halogenlampa | Halogen lamp | Halogenlampe | B 15d 12V 20W |
| 4 | 417396-80 | Lamphållare | Lamp holder | Lampenfassungen | Kompl./Compl./Kompl. |
| 5 | 318652-01 | Cementhård | Stone sole | Steinplatte | 20 x 315 x 840 mm |
| 6 | 723177-80 | Element | Element | Heizkörper | 500W 230V |
| 6 | 723178-80 | Element | Element | Heizkörper | 750W 230V |
| 6 | 723179-80 | Element | Element | Heizkörper | 1000W 230V |
| 6 | 723180-80 | Element | Element | Heizkörper | 1250W 230V |
| 6 | 723219-80 | Element | Element | Heizkörper | 500W 200V |
| 6 | 723220-80 | Element | Element | Heizkörper | 750W 200V |
| 6 | 723221-80 | Element | Element | Heizkörper | 1000W 200V |
| 6 | 723222-80 | Element | Element | Heizkörper | 1250W 200V |



| Pos Fig. Teil | Best.nr Order No Best.Nr | Benämning | Description | Benennung | Anm. Notes Anm. |
|---------------------|--------------------------------|---------------------|-------------------------|----------------------------|-----------------------|
| 1 | 319099-80 | Imkåpa kompl. | Canopy complete | Dunstabzugshaube komp. | DC-1 L=1075mm |
| 1 | 319099-81 | Imkåpa kompl. | Canopy complete | Dunstabzugshaube komp. | DC-2 L=1390mm |
| 1 | 319099-82 | Imkåpa kompl. | Canopy complete | Dunstabzugshaube komp. | DC-2E L=1705mm |
| 1 | 319099-83 | Imkåpa kompl. | Canopy complete | Dunstabzugshaube komp. | DC-3 L=2020mm |
| 1 | 319099-84 | Imkåpa kompl. | Canopy complete | Dunstabzugshaube komp. | DC-4 L=2335mm |
| 2 | 416406-01 | Inloppsring | Inlet ring | Einlaufsring | 44 Ø150/175 |
| 3 | 60453-800 | Päronknopp | Pear-shaped knob | Birnen-föribiger knopf | L=52 mm, Ø39 mm |
| 4 | 215700-01 | Yttersida höger låg | Outer side, right, low | Aussenseite,rechts,niedrig | 340 x 995 mm |
| 5 | 215700-02 | Yttersida höger hög | Outer side, right, high | Aussenseite,rechts,hoch | 400 x 995 mm |
| 6 | 215864-02 | Front höger hög | Front, right, high | Front, rechts, hoch | H=400 mm |
| 7 | 215864-01 | Front höger låg | Front, right, low | Front, rechts, niedrig | H=340 mm |
| 8 | 215686-01 | Frontplåt övre | Frontplate, superior | obere Frontplatte | DC-1 L=634 mm |
| 8 | 215686-02 | Frontplåt övre | Frontplate, superior | obere Frontplatte | DC-2 L=949 mm |
| 8 | 215686-03 | Frontplåt övre | Frontplate, superior | obere Frontplatte | DC-2E L=1264 mm |
| 8 | 215686-04 | Frontplåt övre | Frontplate, superior | obere Frontplatte | DC-3 L=1579 mm |
| 8 | 215686-05 | Frontplåt övre | Frontplate, superior | obere Frontplatte | DC-4 L=1894 mm |
| 9 | 215687-01 | Frontplåt undre | Frontplate, inferior | untere Frontplatte | DC-1 L=634 mm |
| 9 | 215687-02 | Frontplåt undre | Frontplate, inferior | untere Frontplatte | DC-2 L=949 mm |
| 9 | 215687-03 | Frontplåt undre | Frontplate, inferior | untere Frontplatte | DC-2E L=1264 mm |
| 9 | 215687-04 | Frontplåt undre | Frontplate, inferior | untere Frontplatte | DC-3 L=1579 mm |
| 9 | 215687-05 | Frontplåt undre | Frontplate, inferior | untere Frontplatte | DC-4 L=1894 mm |
| 10 | 215806-01 | Frontplåt dubbel | Frontplate, double | doppelte Frontplatte | DC-1 L=634 mm |
| 10 | 215806-02 | Frontplåt dubbel | Frontplate, double | doppelte Frontplatte | DC-2 L=949 mm |
| 10 | 215806-03 | Frontplåt dubbel | Frontplate, double | doppelte Frontplatte | DC-2E L=1264 mm |
| 10 | 215806-04 | Frontplåt dubbel | Frontplate, double | doppelte Frontplatte | DC-3 L=1579 mm |
| 10 | 215806-05 | Frontplåt dubbel | Frontplate, double | doppelte Frontplatte | DC-4 L=1894 mm |

| Pos Fig. Teil | Best.nr Order No Best.Nr | Benämning | Description | Benennung | Anm. Notes Anm. |
|---------------------|--------------------------------|-------------------------|-------------------------|---------------------------------|-----------------------|
| 11 | 215697-02 | Front vänster hög | Front, left, high | Front, links hoch | H=400 mm |
| 12 | 215699-02 | Yttersida vänster hög | Outer side, left, high | Aussenseite,links,hoch | 400 x 995 mm |
| 13 | 215697-01 | Front vänster låg | Front, left, low | Front, links niedrig | H=340 mm |
| 14 | 215699-01 | Yttersida vänster låg | Outer side, left, low | Aussenseite,links,niedrig | 340 x 995 mm |
| 15 | 215783-80 | Toppsektion | Top section | Obere Sektion | DC-1 1070 x 1075 mm |
| 15 | 215783-81 | Toppsektion | Top section | Obere Sektion | DC-2 1070 x 1390 mm |
| 15 | 215783-82 | Toppsektion | Top section | Obere Sektion | DC-2E 1070 x 1705 mm |
| 15 | 215783-83 | Toppsektion | Top section | Obere Sektion | DC-3 1070 x 2020 mm |
| 15 | 215783-84 | Toppsektion | Top section | Obere Sektion | DC-4 1070 x 2335 mm |
| 16 | 215890-01 | Yttersida bak låg | Rear outside, low | Hintere Aus.seite niedrig | DC-1 340 x 1034 mm |
| 16 | 215890-02 | Yttersida bak låg | Rear outside, low | Hintere Aus.seite niedrig | DC-2 340 x 1349 mm |
| 16 | 215890-03 | Yttersida bak låg | Rear outside, low | Hintere Aus.seite niedrig | DC-2E 340 x 1664 mm |
| 16 | 215890-04 | Yttersida bak låg | Rear outside, low | Hintere Aus.seite niedrig | DC-3 340 x 1979 mm |
| 16 | 215890-05 | Yttersida bak låg | Rear outside, low | Hintere Aus.seite niedrig | DC-4 340 x 2294 mm |
| 17 | 215890-06 | Yttersida bak hög | Rear outside, high | Hintere Aussenseite hoch | DC-1 400 x 1034 mm |
| 17 | 215890-07 | Yttersida bak hög | Rear outside, high | Hintere Aussenseite hoch | DC-2 400 x 1349 mm |
| 17 | 215890-08 | Yttersida bak hög | Rear outside, high | Hintere Aussenseite hoch | DC-2E 400 x 1664 mm |
| 17 | 215890-09 | Yttersida bak hög | Rear outside, high | Hintere Aussenseite hoch | DC-3 400 x 1979 mm |
| 17 | 215890-10 | Yttersida bak hög | Rear outside, high | Hintere Aussenseite hoch | DC-4 400 x 2294 mm |
| 18 | 215713-02 | Sidoplåt vänster botten | Side plate left bottom | Seitenblech Link Boden | 116 x 1070 mm |
| 19 | 319083-01 | Kvalmkanal låg | Damper channel, low | Schwadenabzugkanal, beliebig | L=358 mm |
| 20 | 319083-02 | Kvalmkanal hög | Damper channel, high | Schwadenabzugkanal, hoch | L=418 mm |
| 21 | 417424-01 | Distansbygel | Distance bumper | Bügelgriff | |
| 22 | 113124-01 | Ytterplåt botten | Outerplate, bottom | Aussenplatte, Boden | DC-1 1069 x 1073 mm |
| 22 | 113124-02 | Ytterplåt botten | Outerplate, bottom | Aussenplatte, Boden | DC-2 1069 x 1388 mm |
| 22 | 113124-03 | Ytterplåt botten | Outerplate, bottom | Aussenplatte, Boden | DC-2E 1069 x 1703 mm |
| 22 | 113124-04 | Ytterplåt botten | Outerplate, bottom | Aussenplatte, Boden | DC-3 1069 x 2018 mm |
| 22 | 113124-05 | Ytterplåt botten | Outerplate, bottom | Aussenplatte, Boden | DC-4 1069 x 2333 mm |
| 23 | 215785-80 | Bottensektion | Bottom section | Bodensektion | DC-1 1070 x 1075 mm |
| 23 | 215785-81 | Bottensektion | Bottom section | Bodensektion | DC-2 1070 x 1390 mm |
| 23 | 215785-82 | Bottensektion | Bottom section | Bodensektion | DC-2E 1070 x 1705 mm |
| 23 | 215785-83 | Bottensektion | Bottom section | Bodensektion | DC-3 1070 x 2020 mm |
| 23 | 215785-84 | Bottensektion | Bottom section | Bodensektion | DC-4 1070 x 2335 mm |
| 24 | 215713-01 | Sidoplåt höger botten | Side plate right bottom | Seitenblech Recht Boden | 116 x 1123 mm |
| 25 | 215714-01 | Frontplåt botten | Front plate bottom | Türverkleidung Boden | DC-1 116 x 1078 mm |
| 25 | 215714-02 | Frontplåt botten | Front plate bottom | Türverkleidung Boden | DC-2 116 x 1393 mm |
| 25 | 215714-03 | Frontplåt botten | Front plate bottom | Türverkleidung Boden | DC-2E 116 x 1708 mm |
| 25 | 215714-04 | Frontplåt botten | Front plate bottom | Türverkleidung Boden | DC-3 116 x 2023 mm |
| 25 | 215714-05 | Frontplåt botten | Front plate bottom | Türverkleidung Boden | DC-4 116 x 2338 mm |
| 26 | 417137-01 | Lock standard | Lid standard | Deckel standard | 1 x 174 x 267 mm |
| 27 | 417136-01 | Lock ånga | Lid steam | Deckel dampf | 1 x 174 x 210 mm |
| 28 | 417738-01 | Lock ånga extern | Lid steam external | Deckel dampf Externem | 1 x 174 x 267 mm |



Benställning med
tillbehörLegs with
accessoiresBeine mit
zubehören

| Pos Fig. Teil | Best.nr Order No Best.Nr | Benämning | Description | Benennung | Anm. Notes Anm. |
|---------------------|--------------------------------|------------------------|-------------------------|--------------------------|------------------------|
| 1 | 417352-80 | Fästplatta kompl. | Mounting plate complete | Festplatte komplett | |
| 2 | 319181-80 | Ugnsben | Oven legs | Ofenbeine | L=100, 86 x 106 mm |
| 2 | 319181-81 | Ugnsben | Oven legs | Ofenbeine | L=200, 86 x 106 mm |
| 2 | 319181-82 | Ugnsben | Oven legs | Ofenbeine | L=300, 86 x 106 mm |
| 2 | 319181-83 | Ugnsben | Oven legs | Ofenbeine | L=400, 86 x 106 mm |
| 2 | 319181-84 | Ugnsben | Oven legs | Ofenbeine | L=500, 86 x 106 mm |
| 2 | 319181-85 | Ugnsben | Oven legs | Ofenbeine | L=600, 86 x 106 mm |
| 2 | 319181-86 | Ugnsben | Oven legs | Ofenbeine | L=700, 86 x 106 mm |
| 2 | 319181-87 | Ugnsben | Oven legs | Ofenbeine | L=800, 86 x 106 mm |
| 2 | 319181-88 | Ugnsben | Oven legs | Ofenbeine | L=900, 86 x 106 mm |
| 3 | 60271-800 | Länkhjul | Castor | Lenkrolle | H=128 mm, Ø100 mm |
| 3 | 416037-80 | Länkhjul låsbart | Castor lockable | Lenkrolle verschliessbar | H=128 mm, Ø100 mm |
| 4 | 60268-800 | Skåpsfot | Adjustable foot | Stellfuss | 115-140 mm |
| 5 | 319196-80 | Marinfot | Adjustable foot marine | Stellfuss marin | |
| 6 | 510932-80 | Utdragshylla | Pull out shelf | Auszugstisch | DC-1 930 x 730 |
| 6 | 510932-81 | Utdragshylla | Pull out shelf | Auszugstisch | DC-2 930 x 1045 |
| 6 | 510932-82 | Utdragshylla | Pull out shelf | Auszugstisch | DC-2E 930 x 1360 |
| 6 | 510932-83 | Utdragshylla | Pull out shelf | Auszugstisch | DC-3 930 x 1675 |
| 7 | 510935-80 | Fast hyllplan | Shelf stand | Untergestell | DC-1 930 x 730 |
| 7 | 510935-81 | Fast hyllplan | Shelf stand | Untergestell | DC-2 930 x 1045 |
| 7 | 510935-82 | Fast hyllplan | Shelf stand | Untergestell | DC-2E 930 x 1360 |
| 7 | 510935-83 | Fast hyllplan | Shelf stand | Untergestell | DC-3 930 x 1675 |
| 7 | 510935-84 | Fast hyllplan | Shelf stand | Untergestell | DC-4 930 x 1990 |
| 8 | 510927-80 | Avlastningshylla Pizza | Unloading shelf, pizza | Abladeregal pizza | DC-1P 30 x 300 x 1075 |
| 8 | 510927-81 | Avlastningshylla Pizza | Unloading shelf, pizza | Abladeregal pizza | DC-2P 30 x 300 x 1390 |
| 8 | 510927-82 | Avlastningshylla Pizza | Unloading shelf, pizza | Abladeregal pizza | DC-2EP 30 x 300 x 1705 |
| 8 | 510927-83 | Avlastningshylla Pizza | Unloading shelf, pizza | Abladeregal pizza | DC-3P 30 x 300 x 2020 |