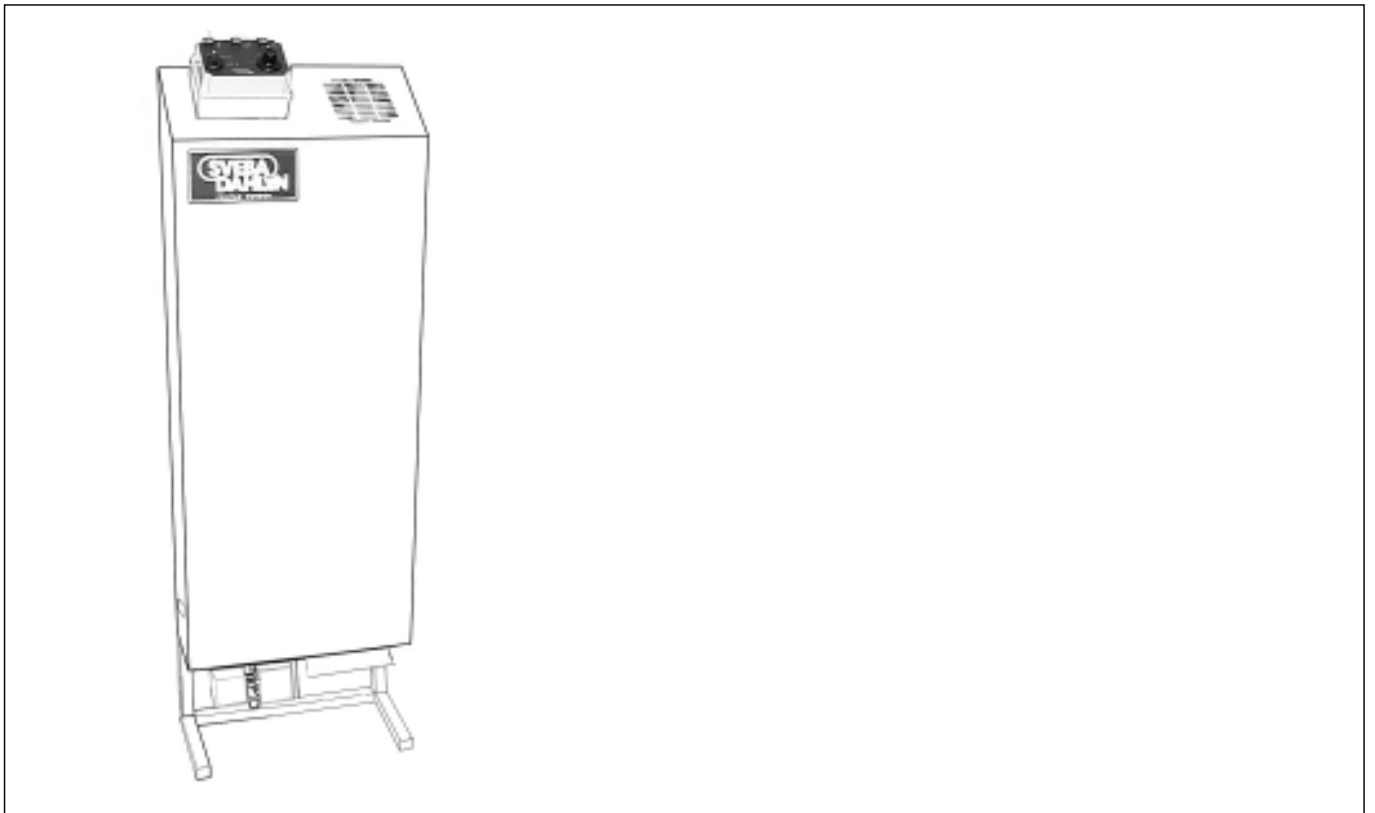


FCC

Jäsrumscliminator Climator Unit



**Reservdelslista
Spare Parts List**

Förutom denna RESERVDLSLISTA finns följande teknisk dokumentation:
DRIFT- SKÖTSEL- och INSTALLATIONSANVISNING 5:3512
ELKOPPLINGSSHEMA (medföljer)

Vid förfrågan eller fel - kontakta installatören eller agenten i första hand eller

SVEBA-DAHLEN AB
513 82 FRISTAD
Tel. 033 151500
Fax 033 151599

Tillverkaren förbehåller sig rätten till mått- och konstruktionsändringar

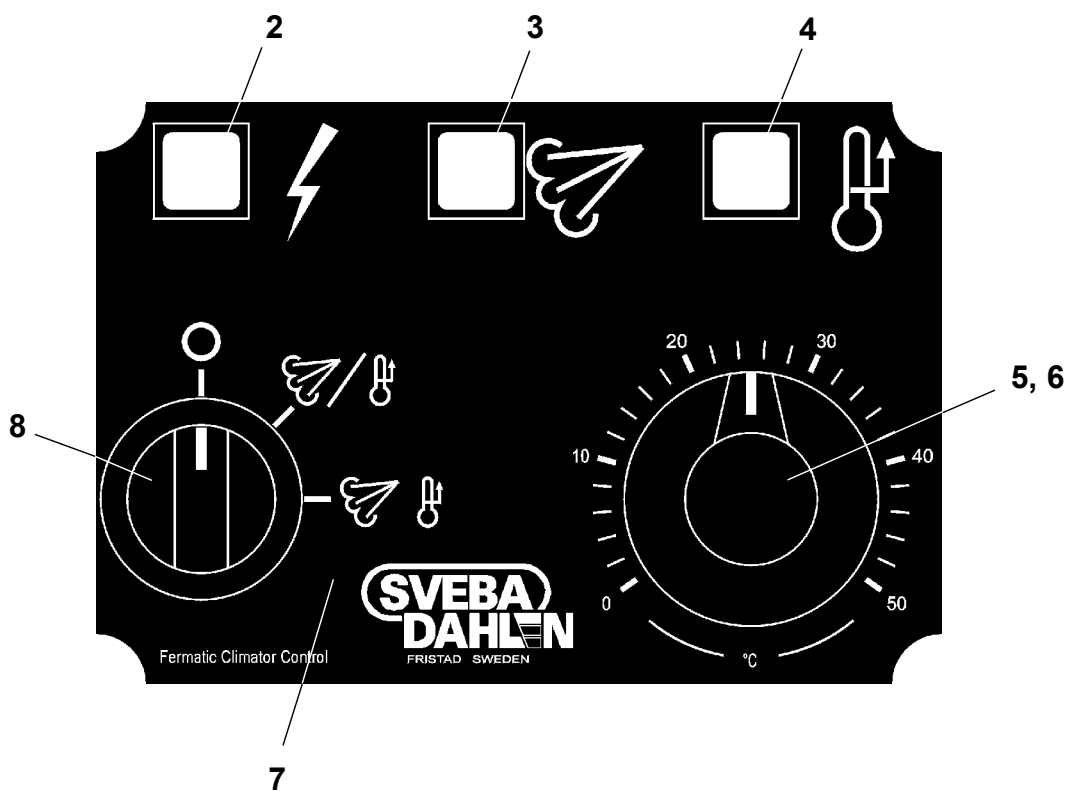
The following technical documentation is available in addition to this one
OPERATING, MAINTENANCE AND INSTALLATION MANUAL 5:3512
WIRING DIAGRAM (supplied)

Please direct all your questions, comments or technical problems regarding this
product to the SVEBA-DAHLEN dealer or directly to

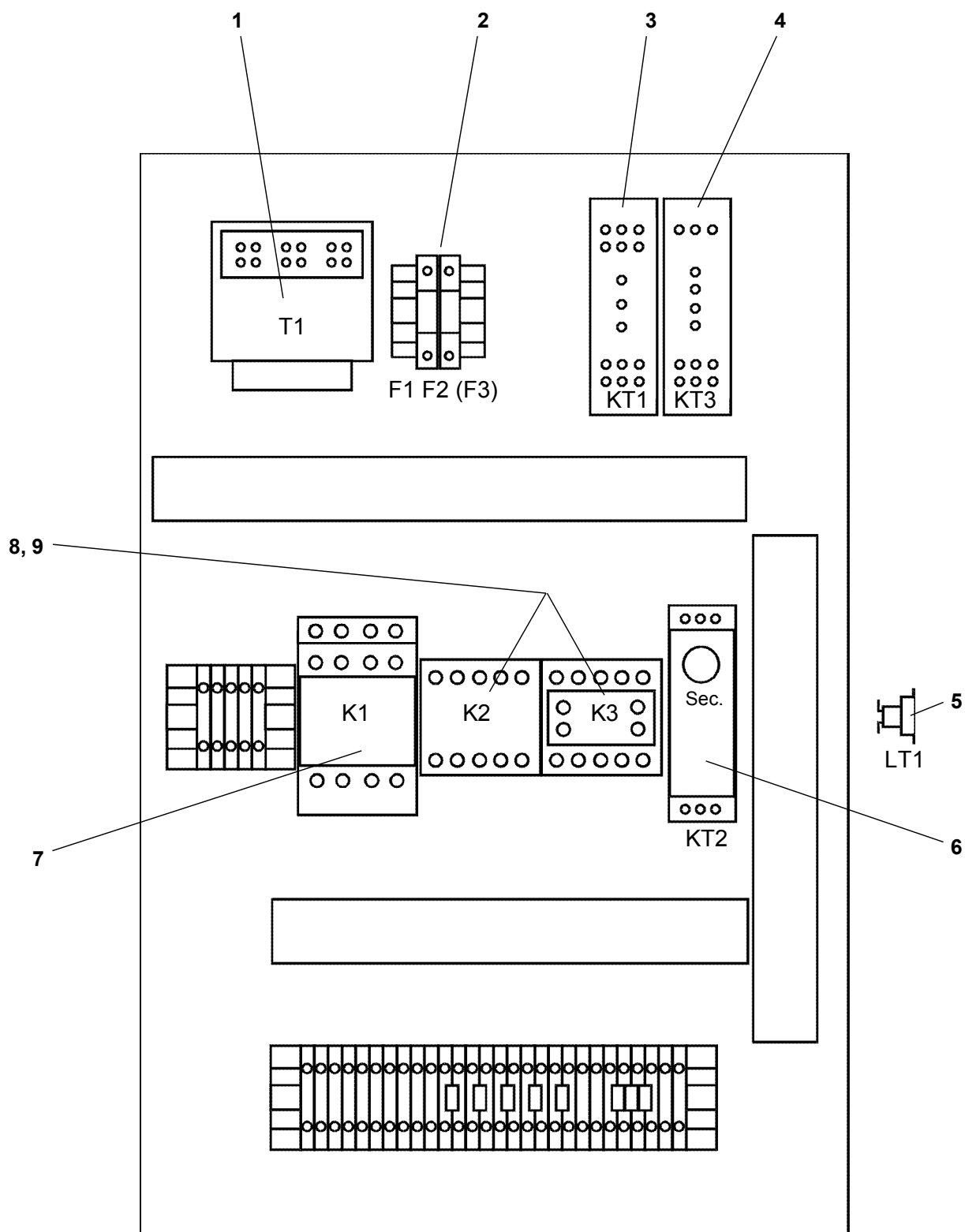
SVEBA-DAHLEN AB
SE-513 82 Fristad
Sweden
Tel. +46 33 151500
Fax +46 33 151599

Subject to changes without notice

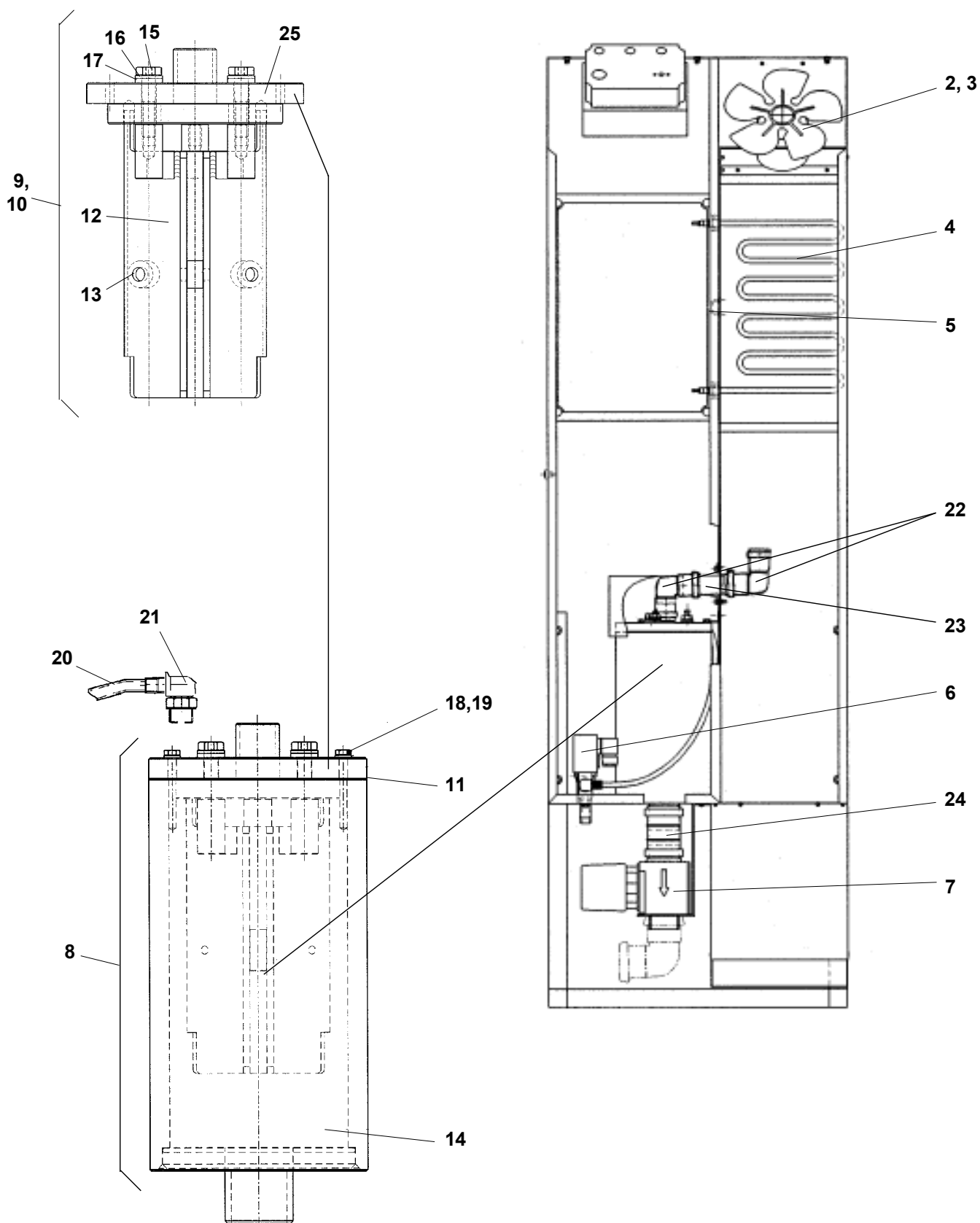
| | |
|---|----------|
| Innehåll / Table of contents | 3 |
| Instrumentpanel / Instrument panel | 4 |
| El koppl. låda / Electrical box | 6 |
| Ånga - Fläkt / Steam - Fan | 8 |



| Pos Fig. | Best.nr Order No | Benämning | Description | | Anm. Notes |
|----------|------------------|------------------|------------------|----|--------------|
| 1 | 412564-01 | Hygrostat | Humidity control | P2 | |
| 2 | 60506-801 | Signallampa kpl. | Pilot lamp cpl. | H1 | grön / green |
| 2 | 60718-804 | Lampa 24V | Lamp 24V | | |
| 3 | 60506-800 | Signallampa kpl. | Pilot lamp cpl. | H2 | gul / yellow |
| 3 | 60718-804 | Lampa 24V | Lamp 24V | | |
| 4 | 60506-800 | Signallampa kpl. | Pilot lamp cpl. | H3 | gul / yellow |
| 4 | 60718-804 | Lampa 24V | Lamp 24V | | |
| 5 | 60438-800 | Vred | Knob | P1 | |
| 6 | 60280-800 | Termostat | Thermostat | P1 | 0-50°C |
| 7 | 217023-01 | Instrumentpanel | Instrument panel | | |
| 8 | 317026-13 | Strömbrytare | Switch | S1 | 0-1-2 |



| Pos Fig. | Best.nr Order No | Benämning | Description | | Anm. Notes |
|----------|------------------|-------------------|-------------------------|-------|------------|
| 1 | 60489-817 | Transformator | Transformer | T1 | 60VA |
| 2 | 60604-801 | Glasrörssäkring | Glass tube fuse | F1 | 10A |
| 2 | 60604-800 | Glasrörssäkring | Glass tube fuse | F2 | 6,3A |
| 3 | 60723-800 | Strömrelä | Current relay | KT1 | |
| 4 | 60723-801 | Paus-Gångtid relä | Asymmetrical recycler | KT3 | |
| 5 | 60509-800 | Bimetalltermostat | Bimetallic thermostat | LT1 | 70C |
| 6 | 60508-800 | Tidrelä | Time relay | KT2 | 24-240V |
| 7 | 60607-800 | Kontaktor | Contactactor | K1 | |
| 8 | 60606-800 | Kontaktor | Contactactor | K2-K3 | |
| 9 | 60608-801 | Hjälpkontakt | Auxiliary contact block | K3 | |



| Pos Fig. | Best.nr Order No | Benämning | Description | | Anm. Notes |
|----------|------------------|-------------------------|-----------------------|-------|--------------------|
| 2 | 60536-800 | Fläktvinge | Fan blade | | |
| 3 | 60535-800 | Fläktmotor | Fan motor | M1 | 220V |
| 4 | 319638-01 | Element 1300W | Element 1300W | E1-E2 | 200V |
| 4 | 319638-02 | Element 1300W | Element 1300W | E1-E2 | 230V |
| 4 | 319638-03 | Element 1300W | Element 1300W | E1-E2 | 440V |
| 4 | 319638-04 | Element 1300W | Element 1300W | E1-E2 | 480V |
| 5 | 60509-800 | Bimetalltermostat | Bimetallic thermostat | LT1 | 70C |
| 6 | 60270-802 | Magnetventil | Solenoid valve | | 24V |
| 7 | 60555-800 | Motordriven tömn.ventil | Emptying valve | | |
| 8 | 321022-80 | Ångkokare kpl FCC | Steam cooker cpl FCC | | 12mm* |
| 8 | 321022-81 | Ångkokare kpl FCC | Steam cooker cpl FCC | | 06mm** |
| 9 | 217076-80 | Lock med elektroder | Lid with electrode | | 12mm* |
| 9 | 217076-81 | Lock med elektroder | Lid with electrode | | 06mm** |
| 10 | 511044-80 | Montagesats lock | Mounting set, lid | | *** |
| 11 | 420046-01 | Packning | Gasket | | Ø160 x Ø129 x 1 |
| 12 | 420041-80 | Elektrod komplett | Electrode cpl | 3 | |
| 13 | 420028-02 | Distans 06mm | Distance 06mm | 3 | |
| 13 | 420028-01 | Distans 12mm | Distance 12mm | 3 | |
| 14 | 216620-80 | Behållare kompl FCC | Container cpl FCC | | |
| 15 | 420030-01 | Anslutningsbult | Connection bolt | 3 | M6S 10x45 rfr |
| 16 | 60570-800 | Bricka | Washer | 3 | BRB 10,5x20x3 |
| 17 | 420032-01 | Bricka | Washer | 3 | 10x20x3 |
| 18 | 60552-800 | Träskruv | Wood screw | 3 | 6x50 rfr |
| 19 | 60570-801 | Bricka | Washer | 3 | BRB 6,4x12x1,6 rfr |
| 20 | 65211-800 | Slang | Hose | | 8 x 1,0 |
| 21 | 60567-800 | Vinkel-anlutning | Angle-connection | | GCK-3/8 |
| 22 | 60681-800 | Böj | Bend | | |
| 23 | 420862-01 | Rör | Tube | | |
| 24 | 60658-800 | Rak dubbelmuff | Straight coupling | | Ø50 |
| 25 | 321021-80 | Lock | Lid | | 12mm* |
| 25 | 321021-81 | Lock | Lid | | 06mm** |

* Elektroavstånd 12mm

** Elektroavstånd 06mm

| *** 511044-80 | | | | | | |
|---------------|-----------|-------------|---------------|--------------|--------------------|--|
| Ant. | | Montagesats | Mounting set | Montage satz | | |
| Qty | | ångkokarlok | Lid for steam | Deckel für | | |
| Anz. | | | cooker | Dampfkocher | | |
| 3 | 60552-800 | Träskruv | Wood screw | Holzschraube | 6x50 rfr | |
| 3 | 60570-801 | Bricka | Washer | Scheibe | BRB 6,4x12x1,6 rfr | |
| 3 | 60017-329 | Skruv | Screw | Schraube | M6S 5x16 fzb | |
| 3 | 60010-146 | Bricka | Washer | Scheibe | 5,3x15 rfr | |
| 1 | 420046-01 | Packning | Gasket | Dichtung | Ø160 x Ø129 x 1 | |